

**HERCULES HOISTS LIMITED**



# Zp MODEL

## CHAIN PULLEY BLOCK

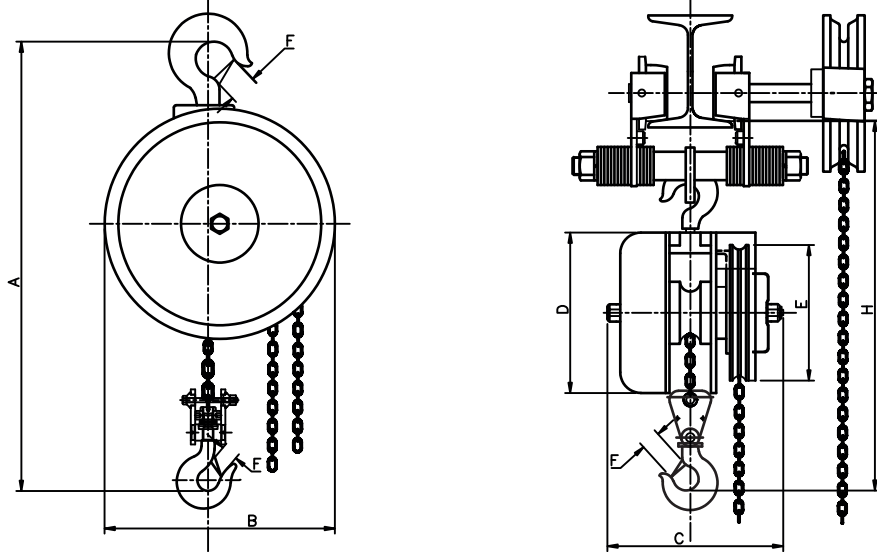
- ◆ Lifting
- ◆ Moving
- ◆ Storing

- **Rugged & sturdy design**  
Assured reliability
- **Double guide roller**  
Well guided entry and exit for load chain
- **Two independent ratchet pawls**  
Double safety to prevent free falling of load
- **Lower block fitted with thrust bearing**  
Load is free to swivel without twisting of load chain
- **Self sustaining maintenance free friction brake**  
Reduce downtime
- **Load limiter**  
Protection for the hoist against excessive overload
- **Grade 80 zinc passivated patent olive green color load chain**  
Optimized for strength and wear resistance.
- **Double ball bearing supported load wheel**  
Smooth operation
- **Precision machine case hardened alloy steel gears**  
Long life, noiseless operation
- **Fully pocketed S. G iron cast load chain wheel**  
Long life, safe and smooth running
- **Anti corrosive powder coated zinc plated parts**  
Anti rust & better aesthetics



**Material Handling. Delivered**

Redefining Material Handling. Since 1962.



**TRIPLE SPUR GEAR CHAIN PULLEY BLOCK - MODEL Zp**  
**SPECIFICATIONS / DIMENSIONS (mm)**

Capacity MT	1	2	3	5	7.5	10
No. of falls	1	2	1	2	3	4
Running pull on hand chain	26	28	61	49	50	61
Weight at 3 mtr lift (approx)	21	30	53	66	102	140
Extra weight per additional mtr lift (approx)	2.9	4.3	4.5	5.2	7.0	14.4

Capacity MT	A	B	C	D	E	F	H
1 T	490	210	180	210	195	31	580
2 T	655	240	180	210	195	37	760
3 T	750	275	200	210	195	42	950
5T	950	320	225	275	270	51	1025
7.5T	1030	455	255	275	270	75	1150
10T	1110	515	225	275	270	75	1240

Note :- Due To Continuous development and improvement specification listed above may be changed without notice

**HERCULES HOISTS LIMITED**

43/2B, Savroli-Kharpada Road,  
 Dhamani, Khalapur - 410 202  
 Maharashtra, India

☎ :+91 2192 274601

✉ :+91 2192 274325

📧 : indef@indef.com

**Regional Office :**

Delhi, Kolkatta , Chennai, Pune