

indef

H. O. T. CRANES

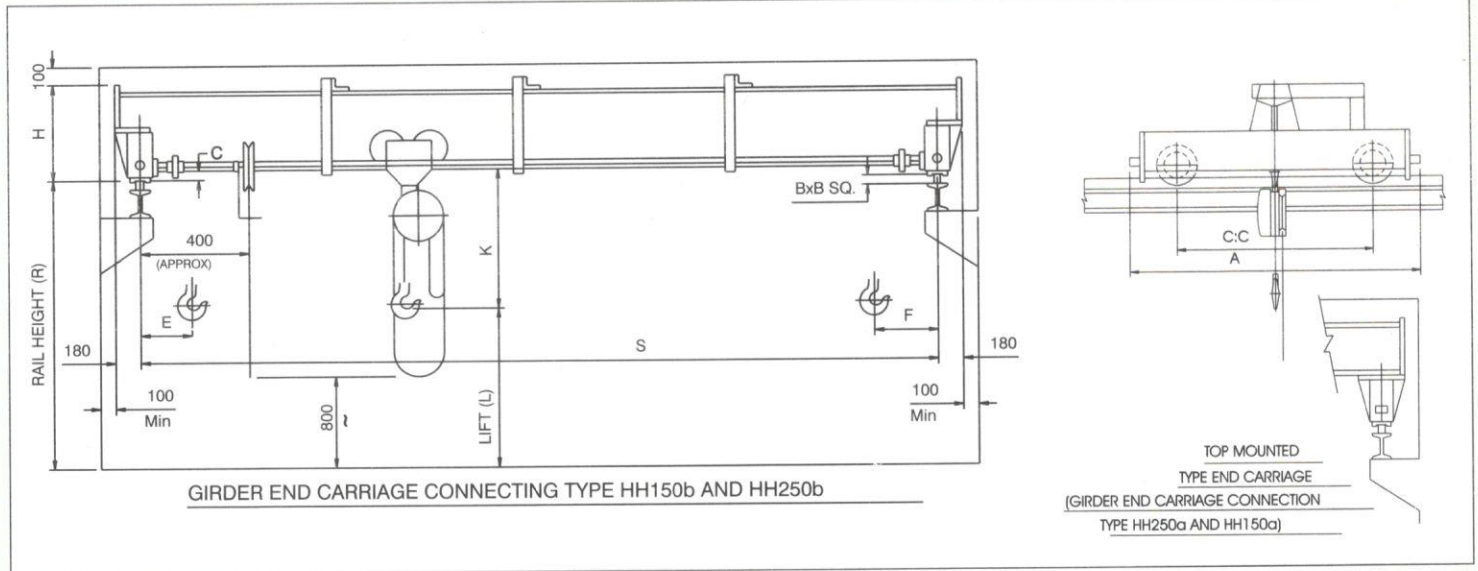


**Optimum
designed
Standardised
Cranes**



ISO AVAILABLE
E.O.T. Cranes,
Flame Proof
Cranes,
AS

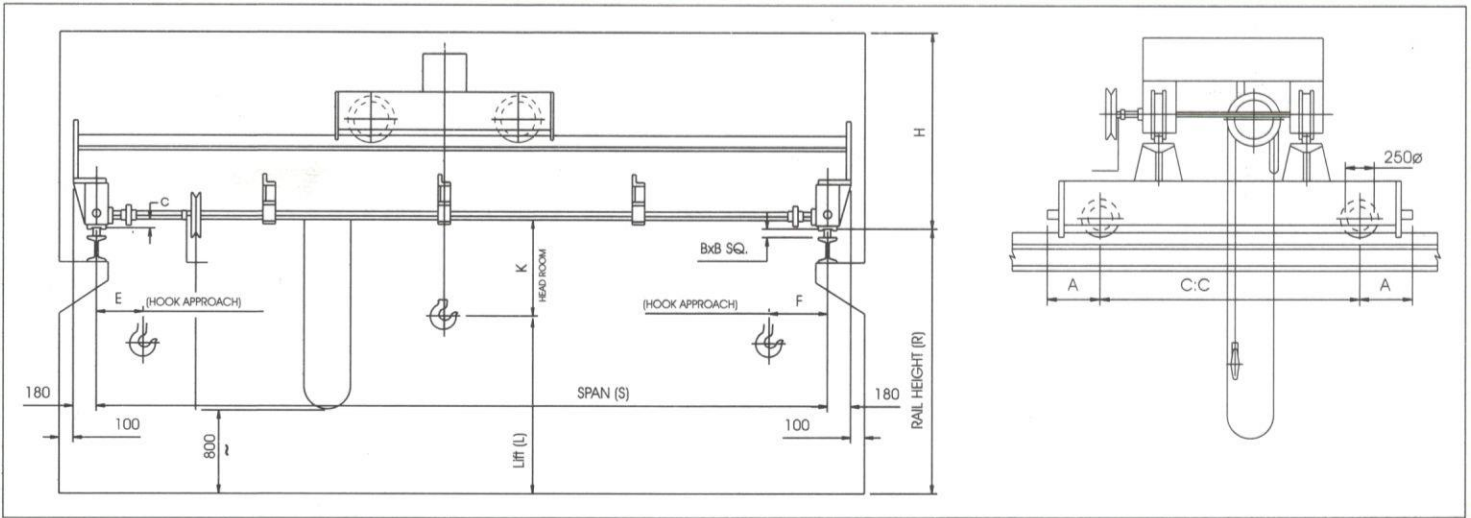
SINGLE GIRDER HOT CRANES (SG-HOT)



| Capacity (T) End Carriage Type | Span S (m) | Approx. static wheel load (kg) | Approx. crane weight Approx. (kg) | H | B | C-C | A | K | E = F | C |
|-----------------------------------|------------------|---|--|-----|-------|------|------|------|-------|-----|
| 1T HH 150 a | 3 | 590 | 400 | 475 | 30/32 | 750 | 1110 | 565 | 400 | 205 |
| | 4 | 620 | 425 | 475 | | 750 | 1110 | 565 | 400 | 205 |
| 1T HH 150 a | 5 | 700 | 575 | 485 | 30/32 | 1200 | 1560 | 565 | 400 | 205 |
| | 6 | 730 | 675 | 525 | | 1200 | 1560 | 565 | 400 | 205 |
| | 7 | 770 | 725 | 525 | | 1600 | 1960 | 565 | 400 | 205 |
| | 8 | 800 | 825 | 575 | | 1600 | 1960 | 565 | 400 | 205 |
| | 9 | 850 | 975 | 625 | | 2000 | 2360 | 565 | 400 | 205 |
| | 10 | 860 | 1025 | 625 | | 2000 | 2360 | 565 | 400 | 205 |
| | 11 | 960 | 1375 | 630 | | 2000 | 2360 | 565 | 400 | 205 |
| | 12 | 990 | 1575 | 630 | | 2400 | 2760 | 565 | 400 | 205 |
| 2T HH 150 a | 3 | 1040 | 425 | 475 | 30/32 | 750 | 1110 | 690 | 400 | 205 |
| | 4 | 1090 | 500 | 525 | | 750 | 1110 | 690 | 400 | 205 |
| 2T HH 150 a | 5 | 1180 | 600 | 525 | 30/32 | 1200 | 1560 | 690 | 400 | 205 |
| | 6 | 1220 | 700 | 525 | | 1200 | 1560 | 690 | 400 | 205 |
| | 7 | 1290 | 875 | 625 | | 1600 | 1960 | 690 | 400 | 205 |
| | 8 | 1320 | 975 | 625 | | 1600 | 1960 | 690 | 400 | 205 |
| | 9 | 1360 | 1075 | 625 | | 2000 | 2360 | 690 | 400 | 205 |
| 2T HH 150 a | 10 | 1360 | 1275 | 725 | 30/32 | 2000 | 2360 | 690 | 400 | 205 |
| | 11 | 1480 | 1450 | 775 | | 2000 | 2360 | 690 | 400 | 205 |
| | 12 | 1520 | 1700 | 775 | | 2400 | 2760 | 690 | 400 | 205 |
| 3T HH 150 a | 3 | 1500 | 525 | 525 | 30/32 | 750 | 1110 | 765 | 400 | 205 |
| | 4 | 1570 | 600 | 575 | | 750 | 1110 | 765 | 400 | 205 |
| | 5 | 1670 | 1050 | 685 | | 1200 | 1560 | 765 | 400 | 205 |
| | 6 | 1720 | 1150 | 735 | | 1200 | 1560 | 765 | 400 | 205 |
| | 7 | 1790 | 1400 | 745 | | 1600 | 1960 | 765 | 400 | 205 |
| 3T HH 150b | 8 | 1850 | 1575 | 565 | 30/32 | 1600 | 1960 | 765 | 400 | 35 |
| | 9 | 1880 | 1650 | 565 | | 2000 | 2360 | 765 | 400 | 35 |
| | 10 | 1950 | 1850 | 575 | | 2000 | 2360 | 765 | 400 | 35 |
| | 11 | 2010 | 1950 | 625 | | 2000 | 2360 | 765 | 400 | 35 |
| | 12 | 2060 | 2250 | 625 | | 2400 | 2760 | 765 | 400 | 35 |
| 5T HH 250a | 4 | 2560 | 1050 | 685 | 30/32 | 1200 | 1660 | 885 | 400 | 320 |
| | 5 | 2630 | 1150 | 735 | | 1200 | 1660 | 885 | 400 | 320 |
| 5T HH 250b | 6 | 2720 | 1300 | 565 | 30/32 | 1200 | 1660 | 885 | 400 | 50 |
| | 7 | 2790 | 1500 | 565 | | 1600 | 2060 | 885 | 400 | 50 |
| | 8 | 2860 | 1700 | 615 | | 1600 | 2060 | 885 | 400 | 50 |
| | 9 | 2920 | 1850 | 625 | | 2000 | 2460 | 885 | 400 | 50 |
| | 10 | 2980 | 2050 | 625 | | 2000 | 2460 | 885 | 400 | 50 |
| | 11 | 3080 | 2400 | 715 | | 2000 | 2460 | 885 | 400 | 50 |
| | 12 | 3190 | 2750 | 725 | | 2400 | 2860 | 885 | 400 | 50 |
| 7.5T HH 250a | 3 | 3540 | 1100 | 685 | 40/42 | 1200 | 1660 | 1000 | 450 | 320 |
| | 4 | 3710 | 1250 | 735 | | 1200 | 1660 | 1000 | 450 | 320 |
| 7.5T HH 250b | 5 | 3840 | 1400 | 565 | 40/42 | 1200 | 1660 | 1000 | 450 | 50 |
| | 6 | 3940 | 1550 | 575 | | 1200 | 1660 | 1000 | 450 | 50 |
| | 7 | 4060 | 1860 | 625 | | 1600 | 2060 | 1000 | 450 | 50 |
| | 8 | 4130 | 2000 | 625 | | 1600 | 2060 | 1000 | 450 | 50 |
| | 9 | 4240 | 2350 | 715 | | 2000 | 2460 | 1000 | 450 | 50 |
| | 10 | 4320 | 2600 | 725 | | 2000 | 2460 | 1000 | 450 | 50 |

| | | | | | | | | | | |
|----------------|----|-------|------|-----|-------|------|------|------|-----|-----|
| 10T HH 250a | 3 | 4630 | 1200 | 735 | 50/52 | 1200 | 1660 | 1120 | 450 | 320 |
| | 4 | 4860 | 1300 | 745 | | 1200 | 1660 | 1120 | 450 | 320 |
| 10T HH 250b | 5 | 5020 | 1475 | 575 | 50/52 | 1200 | 1660 | 1120 | 450 | 50 |
| | 6 | 5140 | 1675 | 625 | | 1200 | 1660 | 1120 | 450 | 50 |
| | 7 | 5270 | 1950 | 690 | | 1600 | 2060 | 1120 | 450 | 50 |
| | 8 | 5380 | 2250 | 715 | | 1600 | 2060 | 1120 | 450 | 50 |
| | 9 | 5480 | 2500 | 725 | | 2000 | 2460 | 1120 | 450 | 50 |
| | 10 | 5550 | 2650 | 725 | | 2000 | 2460 | 1120 | 450 | 50 |
| | 11 | 5720 | 3200 | 735 | | 2000 | 2460 | 1120 | 450 | 50 |
| | 12 | 6030 | 4350 | 715 | | 2400 | 2860 | 1120 | 450 | 50 |
| 15T HH 250b | 4 | 6660 | 1900 | 575 | 60/62 | 1200 | 1660 | 1260 | 775 | 50 |
| | 5 | 7020 | 2050 | 625 | | 1200 | 1660 | 1260 | 775 | 50 |
| | 6 | 7300 | 2350 | 715 | | 1200 | 1660 | 1260 | 775 | 50 |
| | 7 | 7530 | 2650 | 725 | | 1600 | 2060 | 1260 | 775 | 50 |
| | 8 | 7690 | 2850 | 725 | | 1600 | 2060 | 1260 | 775 | 50 |
| | 9 | 7910 | 3350 | 735 | | 2000 | 2460 | 1260 | 775 | 50 |
| | 10 | 8120 | 4800 | 745 | | 2000 | 2460 | 1260 | 775 | 50 |
| 20T HH 250b | 4 | 8740 | 2220 | 625 | 60/62 | 1200 | 1660 | 1300 | 775 | 50 |
| | 5 | 9210 | 2400 | 625 | | 1200 | 1660 | 1300 | 775 | 50 |
| | 6 | 9550 | 2700 | 725 | | 1200 | 1660 | 1300 | 775 | 50 |
| | 7 | 9850 | 2900 | 725 | | 1600 | 2060 | 1300 | 775 | 50 |
| | 8 | 10220 | 3950 | 715 | | 1600 | 2060 | 1300 | 775 | 50 |

DOUBLE GIRDER HOT CRANES (DG-HOT)



| Capacity (T) | Span S (m) | Approx. static wheel load (kg) | Approx. crane weight Approx. (kg) | H (Min) | B | C:C | A | K | E | F | C |
|--------------|------------|--------------------------------|-----------------------------------|---------|-------|------|-----|-----|-----|-----|----|
| 3T | 10 | 2470 | 3380 | 960 | 30/32 | 2000 | 230 | 100 | 800 | 800 | 50 |
| | 11 | 2580 | 3810 | | | | | | | | |
| | 12 | 2640 | 4030 | | | | | | | | |
| | 13 | 2710 | 4340 | | | | | | | | |
| | 14 | 2870 | 4970 | | | | | | | | |
| | 15 | 3030 | 5610 | 1110 | | 3000 | | | | | |
| 5T | 10 | 3540 | 3590 | 1060 | 30/32 | 2000 | 230 | 200 | 800 | 800 | 50 |
| | 11 | 3610 | 3860 | | | | | | | | |
| | 12 | 3700 | 4250 | | | | | | | | |
| | 13 | 3920 | 5110 | | | | | | | | |
| | 14 | 3990 | 5390 | | | | | | | | |
| | 15 | 4350 | 6830 | 1210 | | 3000 | | 100 | | | |
| 7.5T | 10 | 4890 | 3940 | 1060 | 40/42 | 2000 | 230 | 200 | 800 | 800 | 50 |
| | 11 | 5030 | 4520 | | | | | | | | |
| | 12 | 5110 | 4840 | | | | | | | | |
| | 13 | 5450 | 6190 | | | | | | | | |
| | 14 | 5540 | 6540 | | | | | | | | |
| | 15 | 5620 | 6880 | 1210 | | 3000 | | 100 | | | |
| 10T | 10 | 6250 | 4300 | 1110 | 50/52 | 2000 | 230 | 300 | 800 | 800 | 50 |
| | 11 | 6550 | 5490 | | | | | | | | |
| | 12 | 6640 | 5840 | | | | | | | | |
| | 13 | 6750 | 6290 | | | | | | | | |
| | 14 | 6840 | 6640 | | | | | | | | |
| | 15 | 7030 | 7410 | 1210 | | 3000 | | 200 | | | |

* Lift of Crane (L) = Rail height (R) + C - K

Notes :- 1) Crane weight given above includes weight of CPB & Trolley for 10 mtr. lift only. 2) Crane weights and wheel loads are approx. Values given to evaluate size of supporting structure. 3) For every fraction of spans above the specified spans, dimensions of nearest higher span shall be applicable.

HERCULES HOISTS LIMITED has an established reputation as manufacturers of reliable and efficient material handling equipments. The company offers a wide range of products to give the most economical and suitable solution to a maximum number of applications. Stringent quality control procedures are followed at every stage of manufacturing from raw to finished products. This has lead to the prestigious ISO 9001 accreditation by TUV.

SPECIFICATIONS

The crane shall be designed and manufactured in accordance to IS 3177 / IS 807. Design of the crane structure as well as components parts of the cranes shall confirm to class - I duty of the above codes.

BRIDGE It is as per IS 807 / IS 3177 / IS 800. These are standard I beams of M.S. rolled steel sections bolted to end carriages.

END CARRIAGES Box type in construction & fabricated from rolled sections.

L.T. WHEELS Two nos. straight tread type, En8 forged steel, double flanged LT wheels are provided in each of the two end carriages. These wheels are supported on steel axles. For underslung cranes S.G.I tapered type single flanged wheels are provided.

PINION/AXLE Made from En9, heat treated carbon alloy steel.

GEARS They are as per IS 4460, made from EN8 and are supported on ball bearings.

BEARINGS Heavy duty sealed ball bearings are used thus regular lubrication is eliminated. Two ball bearings are provided in each wheel for smooth running.

HOOK It is as per IS 8610 / IS 3815. Made from forged steel - C20, C30 or equivalent. It is collar or shank type in construction with safety latch.

HOIST

INDEF brand Chain Pulley Block.

The block is as per IS 3832 with triple spur gear and friction disc brake (self actuating type construction). Load chain wheel is made of heavy duty S.G.I casting with accurately cast chain pockets. Load chain wheel is mounted on two ball bearings for smooth operation. Bottom block is made of heavy duty malleable casting. Each block is tested to 50% over load.

For other details refer CPB Catalogue.

Load Chain

Grade 80 alloy steel as per IS 6216.

Hand chain

Grade 30 M.S. Chain as per IS 2429.

TESTING

For all motions at 25% over-load as per IS 3177.

CLIENT

• Telco • Escorts • Modi Cement Ltd. • Maharashtra Electricity Board • Oil & Natural Gas Commission • Bokaro Steel Plant • Eastern Railway • Air Force Academy • Indian Oil Corporation • Badarpur Thermal Power Project • Hindustan Aeronautics Ltd. • J.K. Tyres Ltd. • Hindustan Electrographite Ltd.

IMPROVEMENTS

Our engineering dept. continuously works on design improvement and we reserve the right of affecting any change found necessary without notice. Considering this, dimensions, specifications and illustrations may differ.

'INDEF' products

0.5 to 50T Chain Pulley Blocks; 0.5 to 10T Chain Electric Hoists; 0.5 to 15T Wire Rope Hoists; Manual & Electric Trolleys; 0.5 to 20T HOT Cranes; 0.5 to 40T EOT Cranes; 1 to 3T Jib and Wall mounted cranes; 1 to 2T Floor Operated Stackers; 1 to 3T Stores Stacker Cranes and 10 to 25T Roll out Racks. Individual Catalogues are available on request.

• HOT • EOT CRANES • UNDER-SLUNG • JIB • WALL MOUNTED CRANES

Code No. 41 : DO : 1706 / LIT / HOT-CRANE / 07-2003



Manufactured & Marketed by :
HERCULES HOISTS LTD.

108, Minerva Estate, Mulund (W),
Mumbai - 400 080. India.
Tel. : + 91 (22) 2562 4214, 2568 0381,
Fax : + 91 (22) 2568 3933
Website : <http://www.e-indef.com>

Dealers name & address

bajaj group