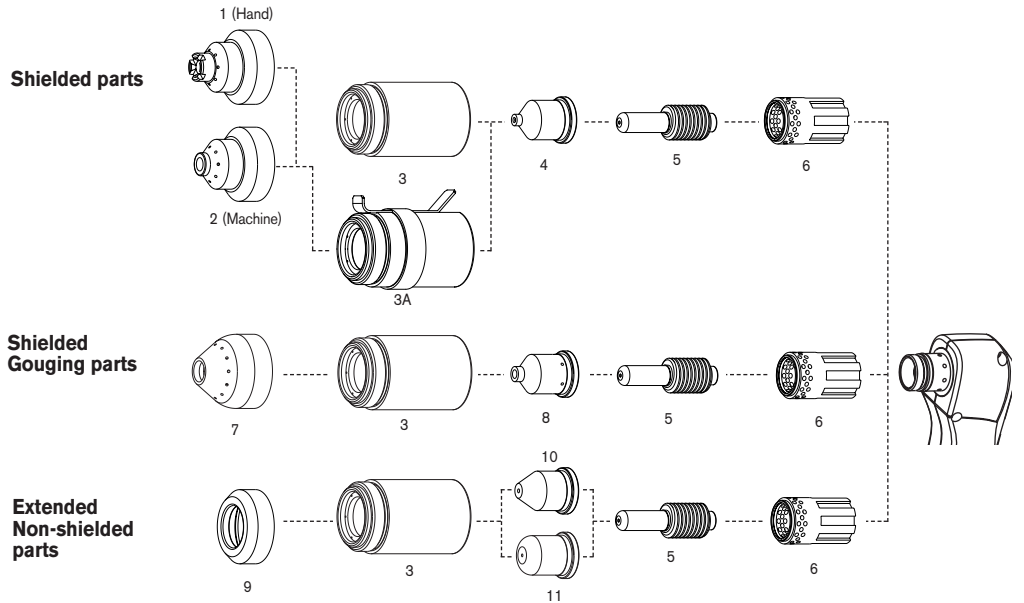


# powermax1250 T80/T80M Consumables



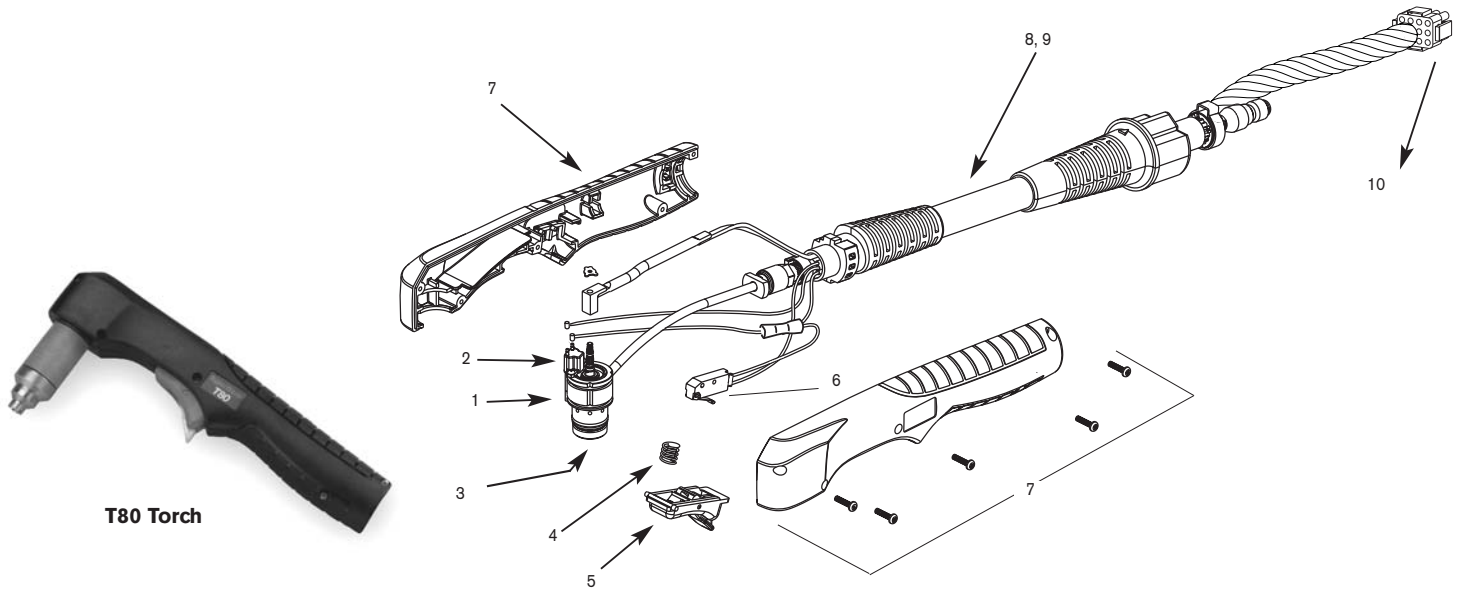
Powermax1250



T80 Torch

|                             | ITEM NUMBER | PART NUMBER              | DESCRIPTION               | QUANTITY PER PACKAGE |
|-----------------------------|-------------|--------------------------|---------------------------|----------------------|
| Shielded parts              | 1           | 120929                   | Shield (Hand)             | 1                    |
|                             | 2           | 120930                   | Shield (Machine)          | 1                    |
|                             | 3           | 120928                   | Cap, Shield               | 1                    |
|                             | 3A          | 220061                   | Cap, Shield Ohmic Contact | 1                    |
|                             | 4           | 120927                   | Nozzle, 80 Amp            | 5                    |
|                             | 4           | 120931                   | Nozzle, 60 Amp            | 5                    |
|                             | 4           | 120932                   | Nozzle, 40 Amp            | 5                    |
| Shielded Gouging parts      | 5           | 120926                   | Electrode                 | 5                    |
|                             | 6           | 120925                   | Swirl Ring                | 1                    |
|                             | 7           | 120977                   | Shield, Gouging           | 1                    |
|                             | 3           | 120928                   | Cap, Shield               | 1                    |
| Extended Non-shielded parts | 8           | 120978                   | Nozzle, Gouging           | 5                    |
|                             | 5           | 120926                   | Electrode                 | 5                    |
|                             | 6           | 120925                   | Swirl Ring                | 1                    |
|                             | 9           | 120979                   | Deflector                 | 1                    |
|                             | 3           | 120928                   | Cap, Retaining            | 1                    |
|                             | 10          | 120980                   | Nozzle, Extended, 80 Amp  | 5                    |
|                             | 10          | 220007                   | Nozzle, Extended, 60 Amp  | 5                    |
| 11                          | 220006      | Nozzle, Extended, 40 Amp | 5                         |                      |
|                             | 5           | 120926                   | Electrode                 | 5                    |
|                             | 6           | 120925                   | Swirl Ring                | 1                    |

# powermax 1250 T80 Safety Trigger Torch Assembly



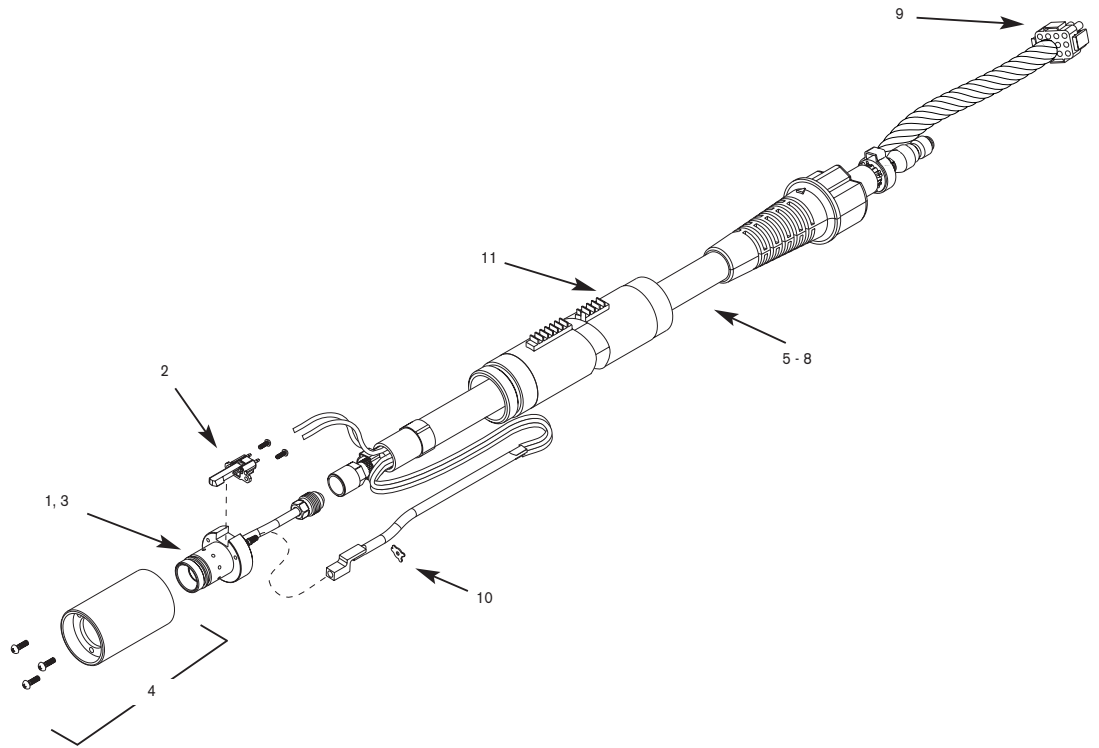
T80 Torch

## T80

| ITEM NUMBER | PART NUMBER         | DESCRIPTION                             |
|-------------|---------------------|---|
|             | 087001 <sup>^</sup> | T80 Hand Torch Assembly, 25' / 7.6 m    |
|             | 087002 <sup>^</sup> | T80 Hand Torch Assembly, 50' / 15.2 m   |
| 1           | 128564              | Kit: T80 Torch Main Body Replacement    |
| 2           | 128639              | Kit: Cap Sensor Switch Replacement      |
| 3           | 128521              | Kit: T80/T80M Torch Head Repair         |
| 4           | 027254              | Trigger Spring                          |
| 5           | 002244              | Safety Trigger Assembly                 |
| 6           | 128642              | Kit: T80 Start Switch Replacement       |
| 7           | 128644              | Kit: T80 Torch Handle Replacement       |
| 8           | 128636              | Kit: T80 Lead Replacement, 50' / 15.2 m |
| 9           | 128637              | Kit: T80 Lead Replacement, 25' / 7.6 m  |
| 10          | 128638              | Kit: ETR Connector Repair               |

<sup>^</sup> Assembly includes consumables

# powermax 1250 T80M Torch Assembly



## T80M Torch

| ITEM NUMBER | PART NUMBER | DESCRIPTION  |
|-------------|-------------|--|
|             | 087003^     | T80M Machine Torch Assembly, 15' / 4.6 m                 |
|             | 087004^     | T80M Machine Torch Assembly, 25' / 7.6 m                 |
|             | 087005^     | T80M Machine Torch Assembly, 35' / 10.7 m                |
|             | 087006^     | T80M Machine Torch Assembly, 50' / 15.2 m                |
|             | 128645      | Kit: Torch Mounting                                      |
| 1           | 128640      | Kit: T80M Torch Main Body Replacement                    |
| 2           | 128639      | Kit: Cap Sensor Switch Replacement                       |
| 3           | 128521      | Kit: T60/T80/T60M/T80M Torch Head Repair                 |
| 4           | 128643      | Kit: T60M/T80M Mounting Sleeve Replacement               |
| 5           | 128634      | Kit: T80M Lead Replacement, 15' / 4.6 m                  |
| 6           | 128633      | Kit: T80M Lead Replacement, 25' / 7.6 m                  |
| 7           | 128635      | Kit: T80M Lead Replacement, 35' / 10.7 m                 |
| 8           | 128641      | Kit: T80M Lead Replacement, 50' / 15.2 m                 |
| 9           | 128638      | Kit: ETR Connector Repair (Regional Repair Centers Only) |
| 10          | 027889      | Retaining Clip   |
| 11          | 128710      | T60M/T80M Positioning Sleeve Replacement                 |

^ Assembly includes consumables