

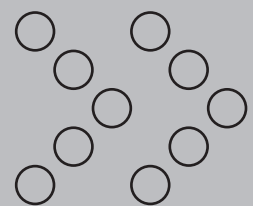
METAL CRAFT INDUSTRIES



Metal Craft
INDUSTRIES



CABLE GLANDS, CONNECTORS & CABLING ACCESSORIES





Metal Craft
INDUSTRIES

“Thinking Larger, Moving Faster” Creating The Momentum To Reach Our Goal.

Momentum is defined as the energy of a moving body measured by its mass and speed. At MCI, we have combined extensive capabilities and development with an ability to move with remarkable speed and accuracy. In doing so, we have created a significant momentum.

The Company

Metal Craft Industries, on the leading edge of technology, is engaged in manufacturing of cable glands & electrical accessories since last two decades. We are operating in steps with the advances of CNC technology, automated systems and advance manufacturing processes and techniques. MCI is well known in the Indian market as manufacturers of premium quality products in the field of Electrical accessories.

As a family business in the 2nd generation, we are well aware of the inter-relationships between creative ideas, their flexible realisation and partner-like dealings with employees, suppliers and customers. This leaves its mark on how we think and act. We provide backing for trusting co-operation on all levels. Doing this together, the upshot is success across the board, so that we are capable of maintaining ourselves in the global market.

Our extensive experience, together with the latest technology enables us to manufacture Cable Glands which cover the whole spectrum of armoured and unarmoured cable and applications from general industrial through increased safety, deluge, flameproof and explosion proof. Our products have to be capable of withstanding mechanical stress and must reliably protect electrical installations from damp and dirt, so that power can flow without hindrance, thus providing complete solution of cable termination to the industry in both hazardous and non-hazardous area of electrical installations. The Cable Glands are available in Brass as standard with Stainless Steel, Aluminium and Plastic as an optional material on certain designs.

MCI Cable Glands are designed, manufactured and tested to satisfy the demands of the various testing bodies and authorities like CIMFR (erstwhile CMRI) and others.

MCI is directly represented throughout INDIA by experienced partners, well known authorised dealers and distributors. This proximity leads to intensive talks with users from the most varied branches and markets. The results of such interchanges form the basis for our products and services of tomorrow.

Technical competence and creativity marks co-operation with MCI and their partners.

At MCI we embarked upon a massive restoration of our plant & its facilities during late 90's when state-of-the-art machinery and testing equipment were acquired. Thereafter, new machines are recurrently being introduced to enhance our product capacity and product range. The new machines and equipment have numerous built-in functions and features assuring precision and consistency of the highest standard.

From the very first idea and then construction on state-of-the-art 3D CAD installations, from production on a flexible fleet of machines right up to on-time delivery, MCI does not leave anything to chance. It is our company goal to translate ideas that are ready to come into the market for cable gland management into quality products made of high-grade materials. To this end, we implement ecologically-friendly production processes and draw up detailed documentation on the products manufactured and the processes involved. This gives our customers the safety and reliable functioning they need.

An Ambitious Strategy

While there is no defined path to success for any business, we firmly believe that there are certain principles that are essential: put the customer first, let their requirements be your guide, do the job right the first time and never allow conventional wisdom to stand in the way of innovation.

At MCI, we live these ideals daily, and we are committed to making our company one of the top in our industry. Our strategy for attaining this level of success, while ambitious, is simple. Simple, however, does not mean easy, and we understand the challenges that are ahead of us. Since our inception, we have worked diligently to assemble the team and technology we need to address those challenges and maintain our momentum.



Our Vision

"Our vision has always been to excel in our performance and achieve perfection in what we are doing. Flawless production, timely delivery and competitive pricing are the characteristics of our organisation."

Quality Policy

Metal Craft Industries is committed to supply timely quality product to our valued customers. We ensure to supply complaint free product to achieve complete customer satisfaction through continual improvement.

Business Philosophy

Our philosophy is to find the best engineering solution for the customer's particular requirement or requirements which results in the creation of long standing commercial relationships built on mutual trust and understanding. MCI prides itself in having a very close working relationship with its customers and has a much focused market driven philosophy.

Our Values

To continuously improve our products and service, we believe that a perfect understanding of the clients need is of crucial importance and also adhere to the concept of corporate social responsibility.

Our Commitment

Our commitment is to understand and exceed the expectations of our valued customers, while delivering high quality product, services, and solutions to their most demanding requirements.

Health and Safety Policy

Metal Craft Industries firmly believes in its workplace being safe from hazards, and wants its employees to work in an injury-free environment, produce safe and accurate products, commit to pollution prevention, and protect the natural environment.

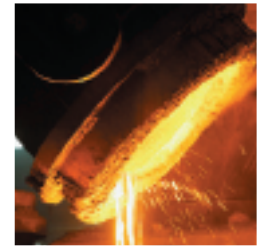


Metal Craft
INDUSTRIES

List of Contents

Page	001	Field of Applications & Our Reputed Clients
Page	002	Single Compression Heavy Duty Cable Glands
Page	004	Double Compression Weather Proof Cable Glands
Page	006	Double Compression Flame Proof (Gas Group I, IIA & IIB) Cable Glands
Page	008	Double Compression Flame Proof (Gas Group IIC) Cable Glands
Page	010	Single Compression Medium Duty Cable Glands
Page	011	Double Compression Medium Duty Cable Glands
Page	012	Flange Type Cable Glands
Page	013	Other Types of Cable Glands
Page	014	Accessories
Page	016	Cable Glands Selection Chart for Unarmoured Power Cable
Page	018	Cable Glands Selection Chart for Unarmoured Control Cable
Page	019	Cable Glands Selection Chart for Armoured Power Cable
Page	022	Cable Glands Selection Chart for Armoured Control Cable
Page	023	Cable Glands Selection Chart on the Basis of Cable Overall Dia.

Field of Applications



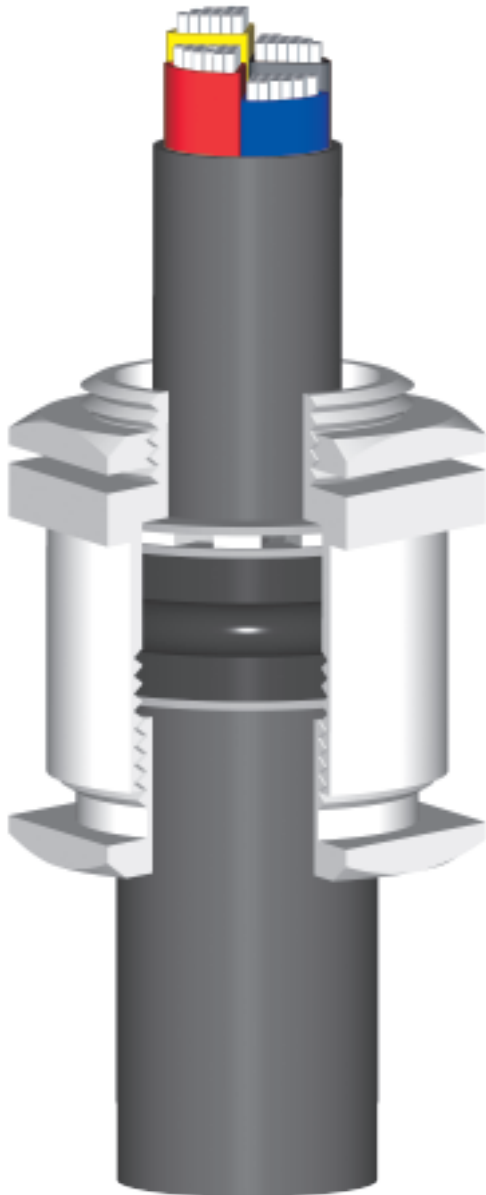
- Electric Power Generation & Distribution Industries
- Control Panels, Switch gears, Transformers
- Mining Industries
- Cement Industries
- Iron & Steel Industries
- Petroleum Industries
- Chemical Industries
- Fertilizer Industries

- Sugar Industries
- Satellite & Communication Industries
- Aeronautic Industries
- Automobile Industries
- Railways
- Shipping Industries
- Textile Industries
- Defence Industries & Other Industries

Our Reputed Clients

- ABG Shipyard Ltd.
- Bharat Heavy Electricals Ltd.
- Bharat Sanchar Nigam Ltd.
- Crompton Greaves Limited
- Essar Group of Industries
- HPCL
- Indian Oil Corporation
- Indian Railways
- Jindal Steel & Power Ltd.

- Larsen & Toubro Ltd.
- NTPC
- National Aluminium Company Ltd.
- Nicco Corporation Limited
- Reliance Energy Limited
- Steel Authority of India Ltd.
- Tata Motors Ltd.
- Tata Steel Ltd.
- UltraTech Cement Ltd. (Aditya Birla Group)



Technical Data:

Material	: Brass (IS-319) Standard (Al. / S.S. / M.S. also available)
Plating	: Nickle Plated Standard (Chrome also available)
Entry Threads	: Metric threads with 1.5 pitch as per IS 4218 standard
Sealing Rubber Ring	: Synthetic / Natural
Gland Standard	: IS 12943 : 1990
Ingress Protection	: IP 60 as per IS 12063

Application:

Single Compression Glands are weather proof and dust proof (IP-60) which can be used in normal climatic condition. Also when protected by PVC shrouds it can be used in corrosive atmosphere.

These glands are available in different sizes and are suitable for all cables upto 1000 sq. mm. and control cables upto 61 cores.

Designation:

Single Compression Glands are designated as below :

SCGn, where	
SC	Single Compression
G	Gland
n(n=1, 2,....20)	Gland Size For eg.(SCG1, SCG2,..... SCG20)

Accessories:

PVC Shroud, Earth Tag, Stopping Plug, Reducer, Adaptor, etc. are available with specified dimensions in accordance to the Gland separately.

Fitting Sequence:

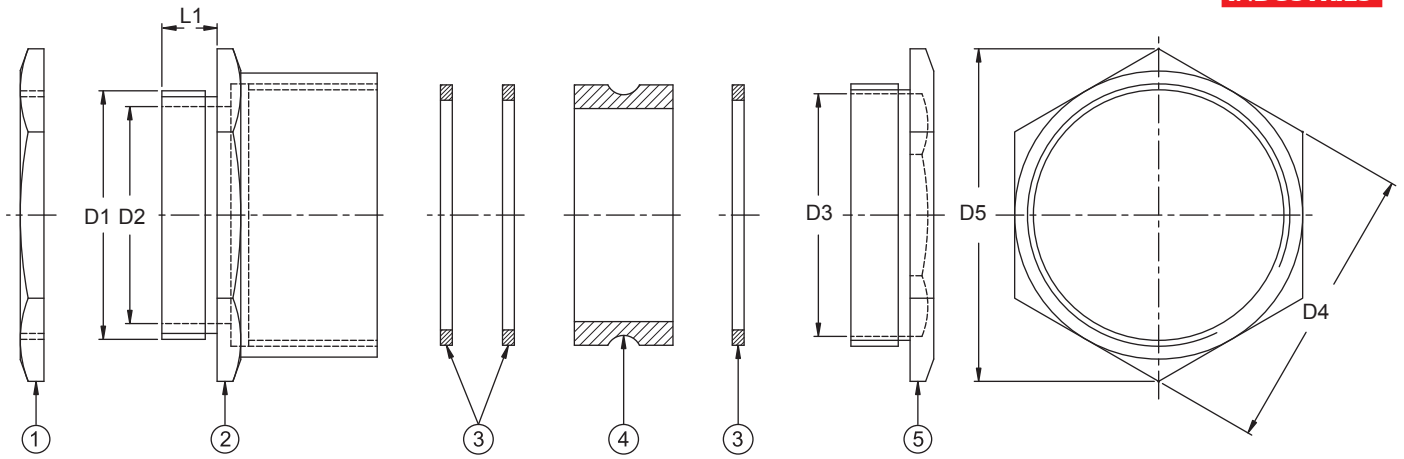
- Pass the Compression Nut (Part-5), one Metal Washer (Part-3) & Outer Seal Ring (Part-4) in succession order over the outer sheath of the cable before commencing to strip the cable
- Remove the outer sheath to the desired length depending on the length of the beds required.
- Pass the 2nd Metal Washer (Part-3) over the exposed armour and then splay out the armour wire one by one. Now cut the armour wire according to the size of the metal washer and bend the same. Pass the 3rd Metal Washer (Part-3) over the inner sheath and place it over the bended armour, so that the armour wires are now secured between the two Metal Washer.
- Push the assembly through the Gland Body (Part-2) and tighten the Compression Nut (Part-5). While doing so the outer seal ring will expand in radial direction and will grip the cable. This will ensure dust proof entry of the cable.
- Finally apply the fitted gland assembly to the extreme with the entry thread provided, if the enclosure does not have threaded entry than tight the gland assembly with the Check Nut (Part-1).

MCI Single Compression Heavy Duty Cable Glands



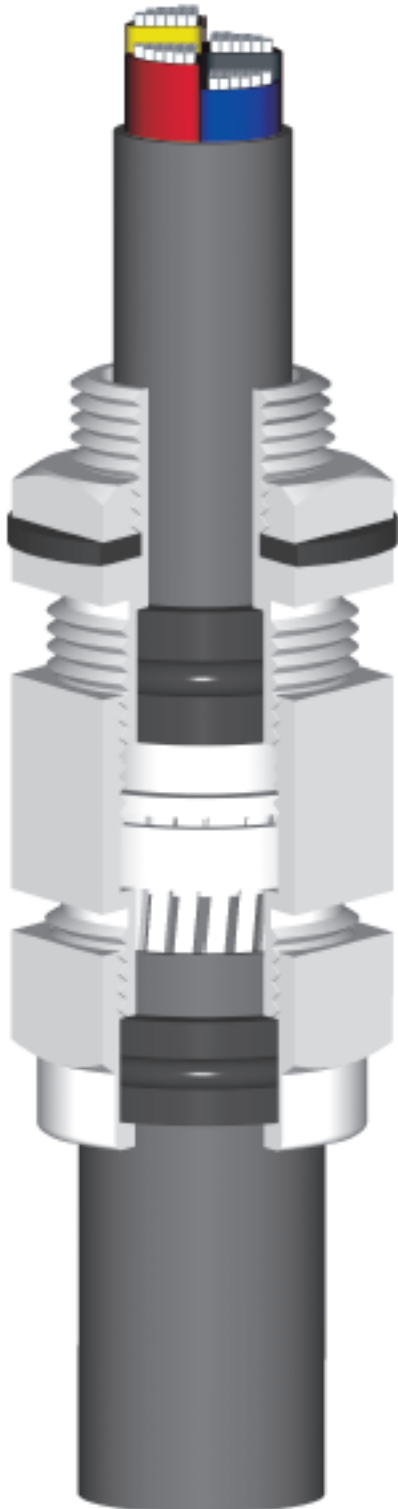
Metal Craft

INDUSTRIES



Suitable Cable Overall Dia		Size Code	D1 Nipple Entry Threads in Metrics	D2 Dia.	D3 Dia.	D4 (A/F)	D5 (A/C)	L1 Length
From	To	SCG	mm	Ø mm	Ø mm	mm	mm	mm
9.0	12.0	SCG 1	16 x 1.5	12.0	16.0	22.0	25.5	9.0
12.0	15.0	SCG 2	16 x 1.5	12.0	18.5	25.0	29.0	9.0
12.0	15.0	SCG 3	20 x 1.5	15.0	18.5	25.0	29.0	9.0
15.0	18.0	SCG 4	20 x 1.5	15.0	24.0	30.0	34.5	9.5
16.0	20.0	SCG 5	25 x 1.5	20.5	24.0	31.5	36.0	9.5
20.0	24.0	SCG 6	25 x 1.5	20.5	28.5	35.0	40.0	10.0
24.0	28.0	SCG 7	32 x 1.5	27.0	33.0	40.0	46.0	12.0
28.0	32.0	SCG 8	40 x 1.5	34.0	37.0	46.0	53.0	12.0
33.0	37.0	SCG 9	40 x 1.5	34.0	41.0	50.0	57.5	12.0
37.0	42.0	SCG 10	50 x 1.5	44.0	47.0	58.0	67.0	13.0
43.0	48.0	SCG 11	50 x 1.5	44.0	52.0	65.0	75.0	13.0
49.0	54.0	SCG 12	63 x 1.5	55.0	61.5	73.0	84.0	14.0
55.0	60.0	SCG 13	63 x 1.5	55.0	65.0	77.0	89.0	14.0
61.0	66.0	SCG 14	75 x 1.5	68.0	71.0	85.0	98.0	15.0
67.0	72.0	SCG 15	75 x 1.5	67.0	76.0	90.0	104.0	15.0
73.0	78.0	SCG 16	82 x 1.5	73.0	82.0	97.0	112.0	17.0
79.0	84.0	SCG 17	90 x 1.5	81.0	91.0	108.0	124.0	19.0
84.5	92.0	SCG 18	100 x 1.5	91.0	98.0	117.0	135.0	20.0
93.0	100.0	SCG 19	110 x 1.5	100.0	107.0	127.0	146.0	25.0
101.0	115.0	SCG 20	125 x 1.5	113.0	118.0	142.0	164.0	25.0

Tolerance ± 1mm



Technical Data:

Material	: Brass (IS-319) Standard (Al. / S.S. / M.S. also available)
Plating	: Nickle Plated Standard (Chrome also available)
Entry Threads	: BSC Standard (PG / Metric / NPT / BSP / also available)
Sealing Rubber Ring	: Nitrile / Neoprene
Gland Standard	: BS 6121
Ingress Protection	: IP 66 as per IS 12063
Test Certi. No.	: CMRI / TC / P / H996
Series	: MCW

Application:

Weather Proof Double Compression Glands are weather proof and dust proof (IP-66) which can be used in normal climatic condition. Also when protected by PVC shrouds it can be used in corrosive atmosphere.

These glands are available in different sizes and are suitable for all cables upto 1000 sq. mm. and control cables upto 61 cores.

Accessories:

PVC Shroud, Earth Tag, Stopping Plug, Reducer, Adaptor, etc. are available with specified dimensions in accordance to the Gland separately.

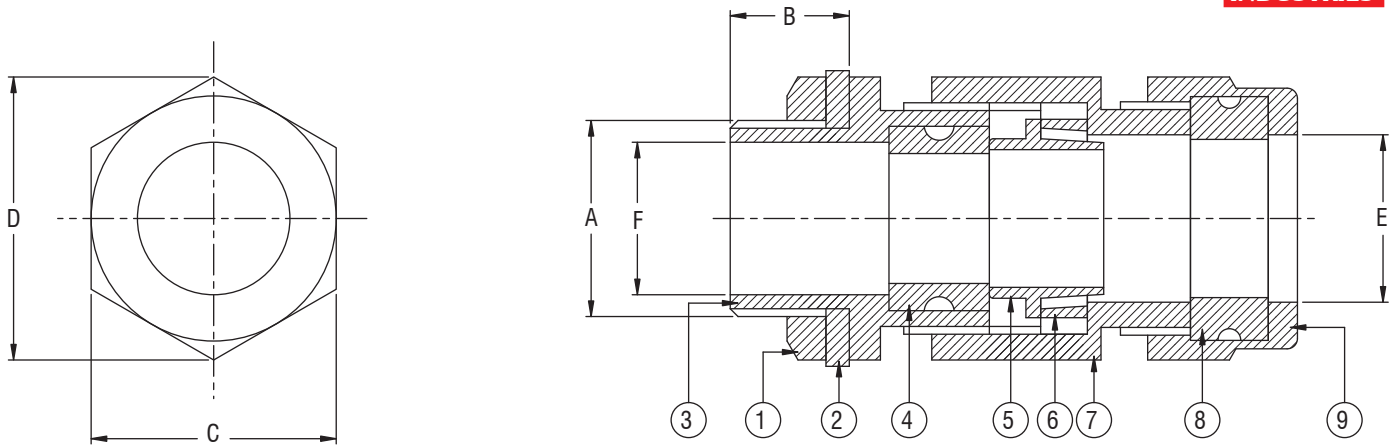
Fitting Sequence:

- Insert Part No. 9, 8 & 7 respectively on the Outer Sheath of the cable before exposing the Armour.
- After removing Outer Sheath of the cable, Insert Part No. 6 over the Exposed Armour.
- Size Armour length, Lift Armour & Insert Part No. 5 under the Armour, Taper Part Facing Inward Side, Squeeze Part No. 5 by pushing Part No. 6 towards it.
- Insert Part No. 4 & 3 on Inner Sheath, than tight Part No. 3 with Part No. 7 & Tight Part No. 9 with Part No. 7.
- Finally apply the full fitted Gland in the Enclosure with the entry thread provided, if the Enclosure does not have threaded entry than tight the Gland with the Part No. 1 provided.

MCI Double Compression Weather Proof Cable Glands



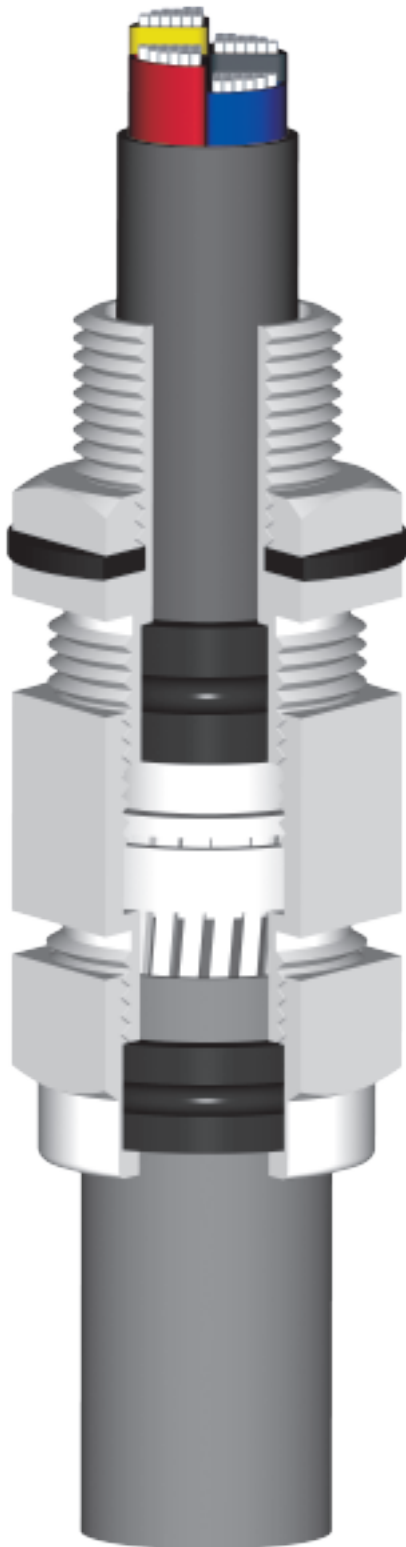
Metal Craft
INDUSTRIES



Suitable Cable Overall Dia	MCI Code	A Nipple Entry	B Length	C (A/F)	D (A/C)	E Dia.	F Dia.
From To	MCW Series	Inches	mm	mm	mm	Ø mm	Ø mm
6.0 12.0	MCW 01SS	3/4"	13.0	21.0	24.0	13.0	14.5
12.0 16.5	MCW 01S	3/4"	15.0	25.0	29.0	18.0	14.5
16.5 18.5	MCW 01	3/4"	15.0	27.5	31.5	19.0	14.5
16.5 18.5	MCW 01A	1"	15.0	27.5	31.5	19.0	14.5
18.5 20.0	MCW 02	1"	15.0	30.0	34.5	21.0	18.0
18.5 20.0	MCW 02A	3/4"	15.0	30.0	34.5	21.0	14.5
20.0 23.0	MCW 03	1"	15.0	31.5	36.0	23.5	19.0
23.0 26.0	MCW 04	1"	15.0	36.0	41.5	27.0	20.5
23.0 26.0	MCW 04A	1.1/4"	15.0	36.0	41.5	27.0	22.0
26.0 30.0	MCW 05	1.1/4"	15.0	41.0	47.0	31.0	25.5
26.0 30.0	MCW 05A	1.1/2"	15.0	41.0	47.0	31.0	27.0
30.0 33.0	MCW 06	1.1/2"	15.0	47.0	54.0	34.5	31.0
30.0 33.0	MCW 06A	1.1/4"	15.0	47.0	54.0	34.5	27.0
33.0 37.0	MCW 07	1.1/2"	15.0	50.0	57.0	38.0	32.0
37.0 41.0	MCW 08	2"	15.0	56.0	64.0	42.5	38.5
41.0 46.0	MCW 09	2"	15.0	59.0	67.0	47.0	40.0
46.0 52.0	MCW 010	2"	20.0	67.0	77.0	53.0	44.0
46.0 52.0	MCW 010A	2.1/2"	20.0	67.0	77.0	53.0	48.0
52.0 54.0	MCW 011S	2.1/2"	20.0	74.0	85.0	57.0	51.0
54.0 61.0	MCW 011	2.1/2"	20.0	80.0	92.0	62.0	56.5
61.0 66.0	MCW 012	3"	20.0	85.0	98.0	68.0	64.0
66.0 72.0	MCW 013A	3"	20.0	90.0	103.0	73.0	67.0
72.0 78.0	MCW 013	3.1/4"	20.0	99.0	113.0	80.0	74.0
78.0 84.0	MCW 014	3.1/2"	20.0	105.0	121.0	85.0	78.0
84.0 94.0	MCW 015	4"	20.0	114.0	132.0	98.0	90.5
94.0 104.0	MCW 016	4.1/2"	20.0	130.0	149.0	106.0	101.0

Tolerance ± 1mm

MCI Double Compression Flame Proof Cable Glands (Gas Group I, IIA & IIB)



Technical Data:

Material	: Brass (IS-319) Standard, (Al. / S.S. / M.S. also available)
Plating	: Nickle Plated Standard, (Chrome also available)
Entry Threads	: BSC Standard (PG / Metric / NPT / BSP / also available)
Sealing Rubber Ring	: Neoprene
Gland Standard	: BS 6121, IS 2148: 2004
Ingress Protection	: IP 65 as per IS 12063 - 1987
Test Certi. No.	: CIMFR / TC / SR / H353
Series	: MCF

Application:

Flame Proof Double Compression Glands are generally used in flammable gas / vapours area (for gas group I, IIA & IIB) as well as in normal climatic conditions also which are weather proof, water proof and dust proof (IP-65) which can be used in Hazardous climatic condition. Also when protected by PVC shrouds it can be used in corrosive atmosphere.

These glands are available in different sizes and are suitable for all cables upto 1000 sq. mm. and control cables upto 61 cores.

Accessories:

PVC Shroud, Earth Tag, Stopping Plug, Reducer, Adaptor, etc. are available with specified dimensions in accordance to the Gland separately.

Fitting Sequence:

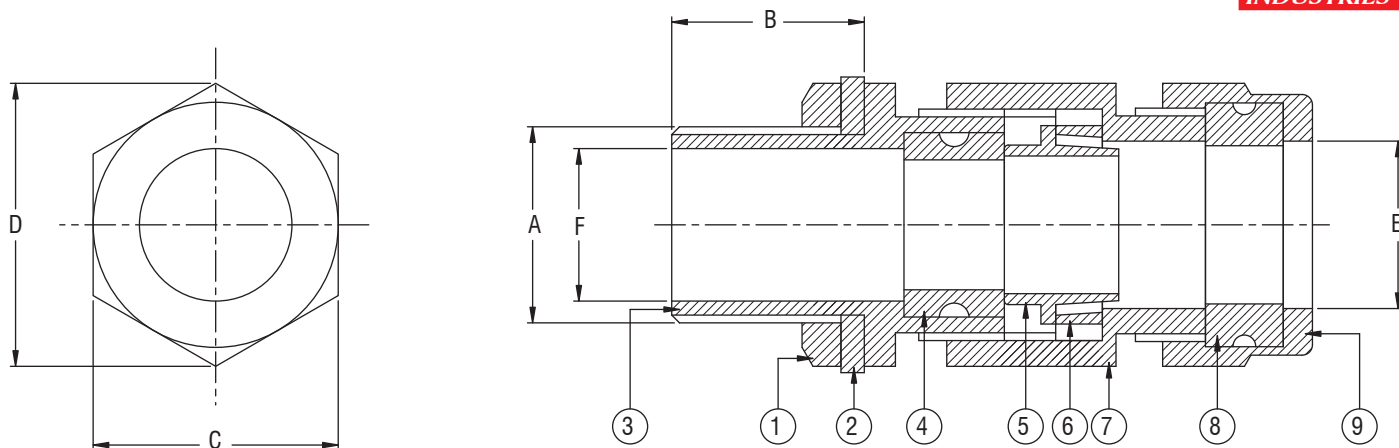
- Insert Part No. 9, 8 & 7 respectively on the Outer Sheath of the cable before exposing the Armour.
- After removing Outer Sheath of the cable, Insert Part No. 6 over the Exposed Armour.
- Size Armour length, Lift Armour & Insert Part No. 5 under the Armour, Taper Part Facing Inward Side, Squeeze Part No. 5 by pushing Part No. 6 towards it.
- Insert Part No. 4 & 3 on Inner Sheath, than tight Part No. 3 with Part No. 7 & Tight Part No. 9 with Part No. 7.
- Finally apply the full fitted Gland in the Enclosure with the entry thread provided, if the Enclosure does not have threaded entry than tight the Gland with the Part No. 1 provided.

MCI Double Compression Flame Proof Cable Glands

(Gas Group I, IIA & IIB)

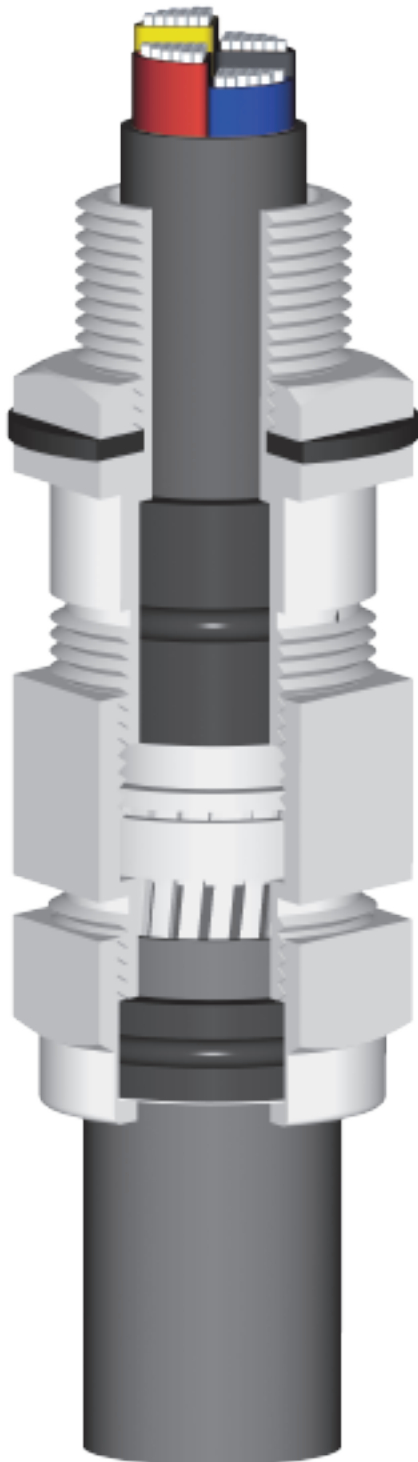


Metal Craft
INDUSTRIES



Suitable Cable Overall Dia		MCF Code	A Nipple Entry	B Length	C (A/F)	D (A/C)	E Dia.	F Dia.
From	To	MCF Series	Inches	mm	mm	mm	Ø mm	Ø mm
6.0	12.0	MCF 01SS	3/4"	25.0	21.0	24.0	13.0	14.5
12.0	16.5	MCF 01S	3/4"	25.0	25.0	29.0	18.0	14.5
16.5	18.5	MCF 01	3/4"	25.0	27.5	31.5	19.0	14.5
16.5	18.5	MCF 01A	1"	25.0	27.5	31.5	19.0	14.5
18.5	20.0	MCF 02	1"	25.0	30.0	34.5	21.0	18.0
18.5	20.0	MCF 02A	3/4"	25.0	30.0	34.5	21.0	14.5
20.0	23.0	MCF 03	1"	25.0	31.5	36.0	23.5	19.0
23.0	26.0	MCF 04	1"	25.0	36.0	41.5	27.0	20.5
23.0	26.0	MCF 04A	1.1/4"	25.0	36.0	41.5	27.0	22.0
26.0	30.0	MCF 05	1.1/4"	25.0	41.0	47.0	31.0	25.5
26.0	30.0	MCF 05A	1.1/2"	25.0	41.0	47.0	31.0	27.0
30.0	33.0	MCF 06	1.1/2"	25.0	47.0	54.0	34.5	31.0
30.0	33.0	MCF 06A	1.1/4"	25.0	47.0	54.0	34.5	27.0
33.0	37.0	MCF 07	1.1/2"	25.0	50.0	57.0	38.0	32.0
37.0	41.0	MCF 08	2"	25.0	56.0	64.0	42.5	38.5
41.0	46.0	MCF 09	2"	25.0	59.0	67.0	47.0	40.0
46.0	52.0	MCF 010	2"	25.0	67.0	77.0	53.0	44.0
46.0	52.0	MCF 010A	2.1/2"	25.0	67.0	77.0	53.0	48.0
52.0	54.0	MCF 011S	2.1/2"	25.0	74.0	85.0	57.0	51.0
54.0	61.0	MCF 011	2.1/2"	25.0	80.0	92.0	62.0	56.5
61.0	66.0	MCF 012	3"	25.0	85.0	98.0	68.0	64.0
66.0	72.0	MCF 013A	3"	25.0	90.0	103.0	73.0	67.0
72.0	78.0	MCF 013	3.1/4"	25.0	99.0	113.0	80.0	74.0
78.0	84.0	MCF 014	3.1/2"	25.0	105.0	121.0	85.0	78.0
84.0	94.0	MCF 015	4"	25.0	114.0	132.0	97.0	90.5
94.0	104.0	MCF 016	4.1/2"	25.0	130.0	149.0	106.0	101.0

Tolerance ± 1mm



Technical Data:

Material	: Brass (IS-319) Standard (Al. / S.S. / M.S. also available)
Plating	: Nickle Plated Standard (Chrome also available)
Entry Threads	: BSC Standard (PG / Metric / NPT / BSP / also available)
Sealing Rubber Ring	: Neoprene
Gland Standard	: BS 6121
Standard Ref.	: (a) As to general requirement IS:13346-2004 (b) As to flameproof construction IS:2148:2004 (c) As to weatherproof construction IP-65: IS:12063-1987
Test Certi. No.	: CIMFR / TC / P / H581 CIMFR / TC / P / H582 CIMFR / TC / P / H583
Series	: MCF IIC

Application:

Flame Proof Double Compression Glands are generally used in hydrogen gas/vapours area (for gas group IIC) as well as in normal climatic conditions also which are weather proof, water proof and dust proof (IP-65) which can be used in Hazardous climatic condition. Also when protected by PVC shrouds it can be used in corrosive atmosphere.

These glands are available in different sizes and are suitable for all cables upto 1000 sq. mm. and control cables upto 61 cores.

Accessories:

PVC Shroud, Earth Tag, Stopping Plug, Reducer, Adaptor, etc. are available with specified dimensions in accordance to the Gland separately.

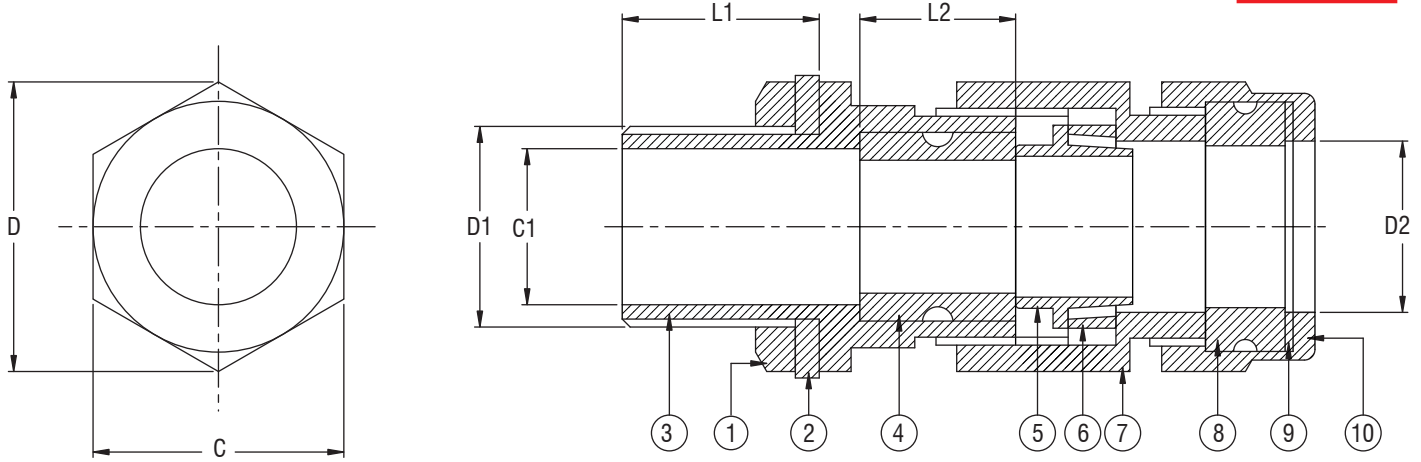
Fitting Sequence:

- Insert Part No. 10, 9, 8 & 7 respectively on the Outer Sheath of the cable before exposing the Armour.
- After removing Outer Sheath of the cable, Insert Part No. 6 over the Exposed Armour.
- Size Armour length, Lift Armour & Insert Part No. 5 under the Armour, Taper Part Facing Inward Side, Squeeze Part No. 5 by pushing Part No. 6 towards it.
- Insert Part No. 4 & 3 on Inner Sheath, than tight Part No. 3 with Part No. 7 & Tight Part No. 10 with Part No. 7.
- Finally apply the full fitted Gland in the Enclosure with the entry thread provided, if the Enclosure does not have thread than tight the Gland with the Part No. 1 provided.

MCI Double Compression Flame Proof Cable Glands (Gas Group IIC)

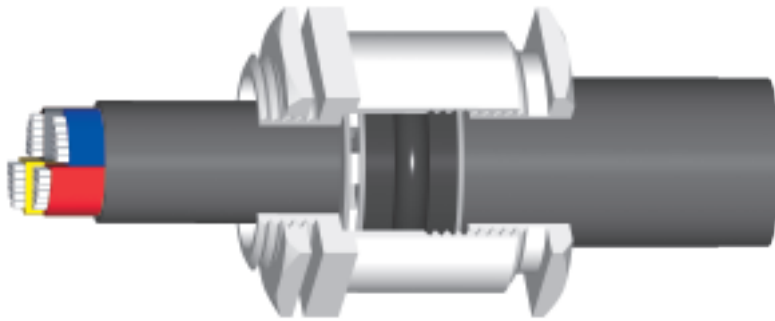


**Metal Craft
INDUSTRIES**



Suitable Cable Overall Dia		MCI Code	D1 Nipple Entry	D2 Dia.	L1 Length	L2 Length	C (A/F)	D (A/C)	C1 Dia.
From	To	MCF IIC Series	Inches	Ø mm	mm	mm	mm	mm	Ø mm
6.0	12.0	MCF IIC 01SS	3/4"	13.0	25.0	27.0	21.0	24.0	14.5
12.0	16.5	MCF IIC 01S	3/4"	18.0	25.0	27.0	25.0	29.0	14.5
16.5	18.5	MCF IIC 01	3/4"	19.0	25.0	27.0	27.5	31.5	14.5
16.5	18.5	MCF IIC 01A	1"	19.0	25.0	27.0	27.5	31.5	14.5
18.5	20.0	MCF IIC 02	1"	21.0	25.0	27.0	30.0	34.5	18.0
18.5	20.0	MCF IIC 02A	3/4"	21.0	25.0	27.0	30.0	34.5	14.5
20.0	23.0	MCF IIC 03	1"	23.5	25.0	27.0	31.5	36.0	19.0
23.0	26.0	MCF IIC 04	1"	27.0	25.0	27.0	36.0	41.5	20.5
23.0	26.0	MCF IIC 04A	1.1/4"	27.0	25.0	27.0	36.0	41.5	22.0
26.0	30.0	MCF IIC 05	1.1/4"	31.0	25.0	27.0	41.0	47.0	25.5
26.0	30.0	MCF IIC 05A	1.1/2"	31.0	25.0	27.0	41.0	47.0	27.0
30.0	33.0	MCF IIC 06	1.1/2"	34.5	25.0	27.0	47.0	54.0	31.0
30.0	33.0	MCF IIC 06A	1.1/4"	34.5	25.0	27.0	47.0	54.0	27.0
33.0	37.0	MCF IIC 07	1.1/2"	38.0	25.0	27.0	50.0	57.0	32.0
37.0	41.0	MCF IIC 08	2"	42.5	25.0	27.0	56.0	64.0	38.5
41.0	46.0	MCF IIC 09	2"	47.0	25.0	27.0	59.0	67.0	40.0
46.0	52.0	MCF IIC 010	2"	53.0	25.0	27.0	67.0	77.0	44.0
46.0	52.0	MCF IIC 010A	2.1/2"	53.0	25.0	27.0	67.0	77.0	48.0
52.0	54.0	MCF IIC 011S	2.1/2"	57.0	25.0	27.0	74.0	85.0	51.0
54.0	61.0	MCF IIC 011	2.1/2"	62.0	25.0	27.0	80.0	92.0	56.5
61.0	66.0	MCF IIC 012	3"	68.0	25.0	27.0	85.0	98.0	64.0
66.0	72.0	MCF IIC 013A	3"	73.0	25.0	27.0	90.0	103.0	67.0
72.0	78.0	MCF IIC 013	3.1/4"	80.0	25.0	27.0	99.0	113.0	74.0
78.0	84.0	MCF IIC 014	3.1/2"	85.0	25.0	27.0	105.0	121.0	78.0
84.0	94.0	MCF IIC 015	4"	97.0	25.0	27.0	114.0	132.0	90.5
94.0	104.0	MCF IIC 016	4.1/2"	106.0	25.0	27.0	130.0	149.0	101.0

Tolerance ± 1mm

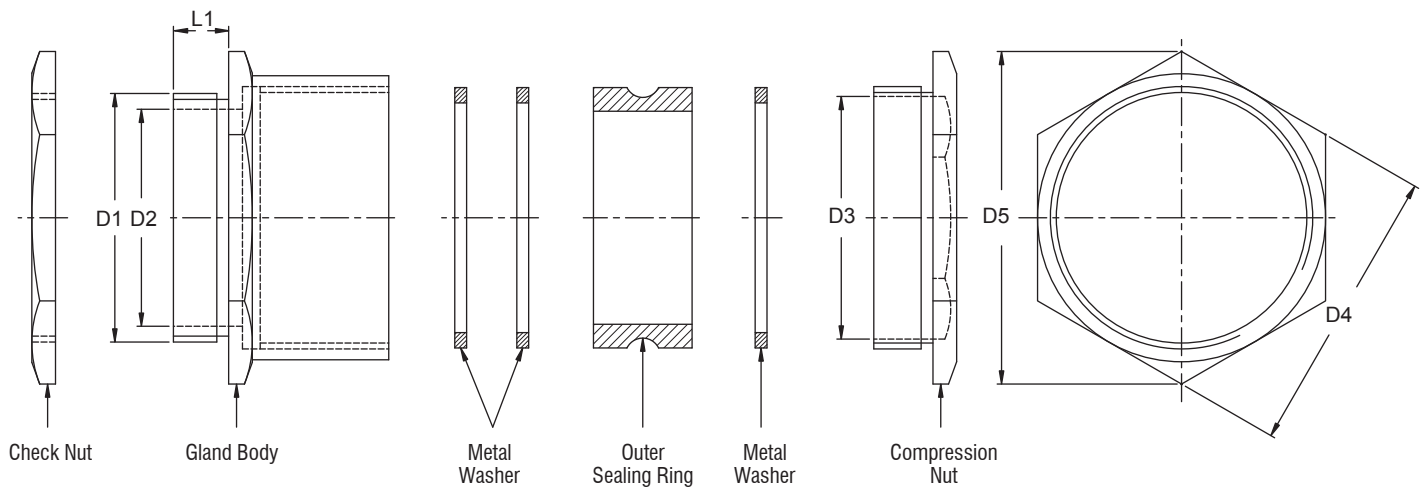


Technical Data:

Material : Brass
Plating : Nickel Plated
Entry Threads : BSC Standard
 (Metric also available)
Sealing Rubber Ring : Natural

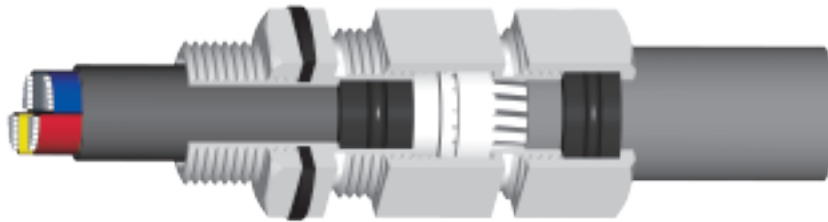
Application:

Used in normal climatic condition for armoured & unarmoured cables.



Suitable Cable Overall Dia		Size		D1 Nipple Entry	D2 Dia.	D3 Dia.	D4 (A/F)	D5 (A/C)	L1 Length
From	To	mm	inches	Inches	Ø mm	Ø mm	mm	mm	mm
6.0	9.0	10	3/8"	5/8"	12.0	12.5	18.0	20.5	7.0
9.0	12.0	12	1/2"	5/8"	12.5	15.5	20.5	23.5	7.0
12.0	14.0	16	5/8"	3/4"	15.0	16.0	20.5	23.5	7.0*
14.0	16.0	19	3/4"	3/4"	15.0	18.0	23.0	26.0	7.0*
16.0	18.0	22	7/8"	3/4"	15.0	20.5	25.0	29.0	7.0*
18.0	21.5	25	1"	1"	21.0	23.5	28.5	32.5	8.0*
21.5	26.0	28	1 1/8"	1 1/8"	24.5	27.5	33.0	38.0	8.5*
26.0	31.0	32	1 1/4"	1 1/4"	27.0	31.5	37.0	43.0	11.0*
31.0	34.0	35	1 3/8"	1 3/8"	29.5	35.5	42.0	48.0	11.0*
34.0	38.0	38	1 1/2"	1 1/2"	33.0	38.0	45.0	52.0	11.0*
38.0	42.0	45	1 3/4"	1 3/4"	38.5	44.5	52.0	60.0	11.0*
42.0	48.0	50	2"	2"	45.0	52.0	58.0	67.0	11.0*
48.0	54.0	57	2 1/4"	2 1/4"	51.0	57.5	65.0	75.0	13.0
54.0	60.0	63	2 1/2"	2 1/2"	57.0	63.0	70.0	81.0	13.5
60.0	66.0	70	2 3/4"	2 3/4"	63.0	69.0	77.0	89.0	13.5
66.0	72.0	75	3"	3"	69.0	75.0	83.0	96.0	13.5
72.0	78.0	82	3 1/4"	3 1/4"	76.0	81.5	90.5	104.0	14.0
78.0	84.0	88	3 1/2"	3 1/2"	77.0	84.0	96.0	110.0	15.0
84.0	92.0	100	4"	4"	90.5	99.0	110.0	126.0	16.0

MCI Double Compression Medium Duty Cable Glands

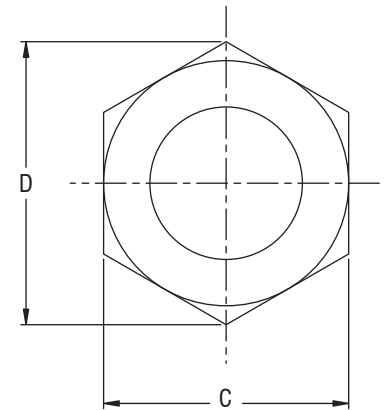
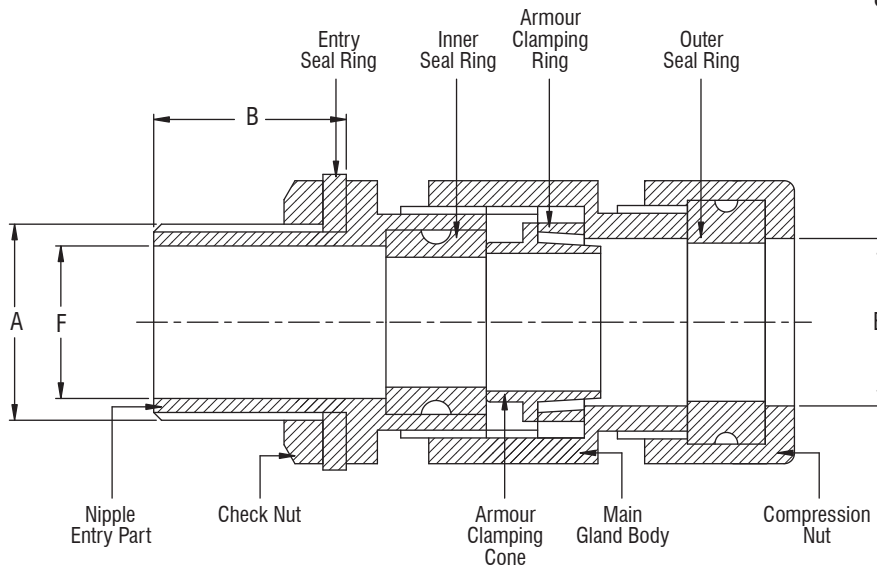


Technical Data:

- Material** : Brass
- Plating** : Nickle Plated
- Entry Threads** : BSC Standard
(Metric / NPT also available)
- Sealing Rubber Ring** : Natural

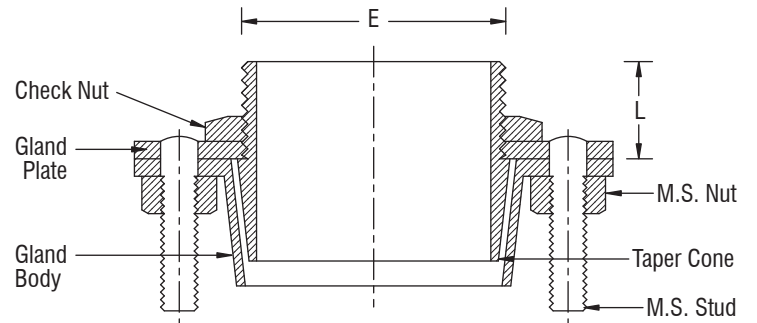
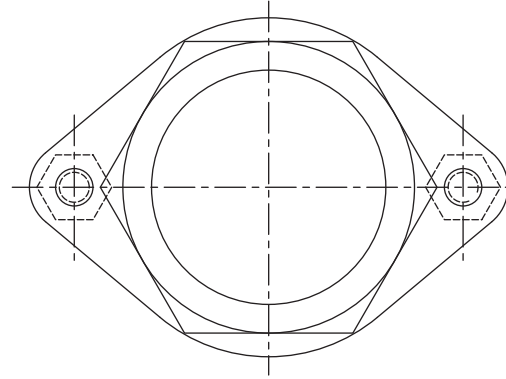
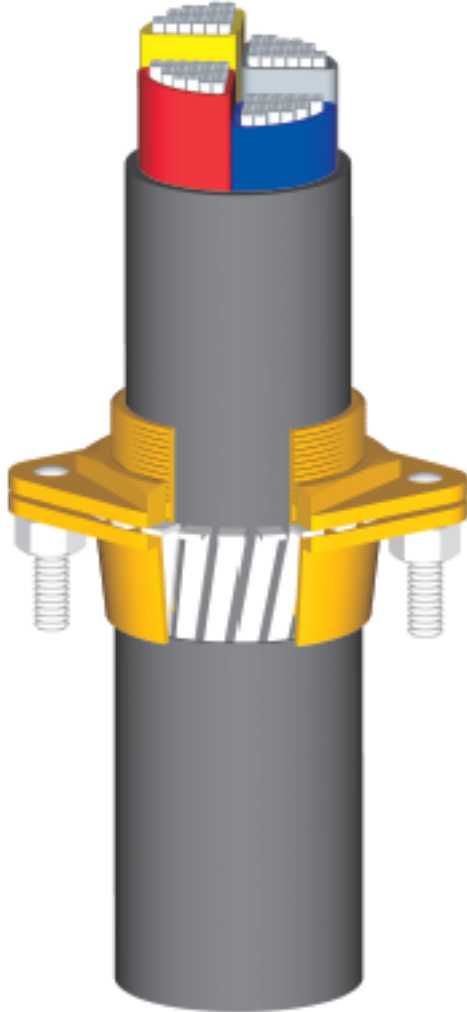
Application:

Used in normal climatic condition for armoured & unarmoured cables.



Suitable Cable Overall Dia		Size		A Nipple Entry	B Length	C (A/F)	D (A/C)	E Dia.	F Dia.
From	To	mm	inches	Inches	mm	mm	mm	Ø mm	Ø mm
6.0	9.0	10	3/8"	5/8"	25.0	20.5	23.5	10.0	7.0
6.0	12.0	12	1/2"	5/8"	25.0	23.0	26.0	13.5	11.0
12.0	16.5	16	5/8"	3/4"	25.0	23.0	26.0	16.5	14.0
16.5	18.5	19	3/4"	3/4"	25.0	25.5	29.5	19.0	14.0
18.5	20.0	22	7/8"	3/4"	25.0	28.0	32.0	20.0	14.0
20.0	23.0	25	1"	1"	25.0	31.5	36.0	23.5	19.0
23.0	26.0	28	1 1/8"	1 1/8"	25.0	35.5	41.0	27.0	22.5
26.0	30.0	32	1 1/4"	1 1/4"	25.0	41.0	47.0	32.0	25.5
30.0	33.0	35	1 3/8"	1 1/2"	25.0	44.0	50.5	35.0	27.5
33.0	37.0	38	1 1/2"	1 1/2"	25.0	46.0	53.0	38.0	31.0
37.0	41.0	45	1 3/4"	2"	25.0	57.0	65.5	44.5	42.0
41.0	46.0	50	2"	2"	25.0	61.0	70.5	51.0	42.0
46.0	52.0	57	2 1/4"	2 1/4"	25.0	67.0	77.0	57.0	50.0
52.0	54.0	63	2 1/2"	2 1/2"	25.0	79.0	91.0	63.0	54.5
54.0	61.0	70	2 3/4"	2 3/4"	25.0	82.0	95.0	69.5	62.0
61.0	72.0	75	3"	3"	25.0	90.0	105.0	75.0	65.0
72.0	78.0	82	3 1/4"	3 1/4"	25.0	95.0	109.0	82.0	74.5
78.0	84.0	88	3 1/2"	3 1/2"	25.0	106.0	123.0	88.0	78.0
84.0	94.0	100	4"	4"	25.0	116.0	135.0	98.0	87.0

Tolerance ± 1mm



Technical Data:

Material : Brass
 Finish : Brass
 Entry Threads : ET / BSC

Application:

Generally for armoured cable and outdoor use.

Flange Type Cable Glands are made out of brass castings and are machined accurately to the required sizes. These glands are suitable for armoured cables and are called mechanical glands hence suitable for outdoor application.

The gland comprises of brass body (flange type oval shape) and plate clamped with galvanised mild steel studs and nuts for clamping the armour. Tapered cone and nut are provided for termination of cable.

The cone and body taper is designed for giving a firm grip to the armour of the cable.

Size	E Dia.	L Length	Suitable Cable Overall Dia.	
Code	Ø mm	mm	From	To
FL 5	15.0	13.0	12.0	16.5
FL 4	19.0	13.0	15.0	19.0
FL 3	19.5	13.0	18.5	20.5
FL 2	25.0	16.5	20.5	24.5
FL 1	31.0	15.5	24.0	30.0
FL 11	31.0	15.0	29.5	34.0
FL 0	37.5	21.0	32.5	35.0
FL 00	37.5	20.0	34.5	38.0
FL 38	42.0	21.5	37.0	42.0
FL 001	49.0	20.5	40.5	44.0
FL 002	53.5	21.5	43.5	52.0
FL 003	60.0	23.0	51.0	58.0
FL 0033	65.0	25.5	56.5	67.0
FL 004	75.0	22.5	66.0	76.0
FL 005	99.0	22.5	75.0	83.0

Tolerance ± 1mm

MCI Other Types of Cable Glands



■ PG Type Cable Glands



■ Wiping Glands



■ BW Type Cable Glands



■ A1/A2 Type Cable Glands



■ CW Type Cable Glands



■ Alco Type Cable Glands



■ E1W Type Cable Glands



■ Marine Type Cable Glands





Metal Craft

INDUSTRIES

■ MCI Stopping Plug

MCI Range of Stopping plugs are designed to close any unused entries of an electrical equipments without revoking existing certification. The range covers three design types:

Flame Proof Stopping Plug



- Material** : Brass (IS - 319) Standard (Al. / M.S. / S.S. also available)
- Plating** : Nickle Plated - Standard (Chrome also available)
- Threads** : BSC - Standard (PG / Metric / NPT / BSP also available)
- Sealing Rubber Ring** : Neoprene
- Ref. Standard** : IS 2148 : 2004
- Ingress Protection** : IP 65 as per IS 12063 - 1987
- Test Certi. No.** : CMRI / TC / P / H788
- Application** : Used in flammable gas vapour area. (Group I, IIA & IIB)
- Size (MCS)** : 3/4", 1", 1 1/4", 1 1/2", 2", 2 1/2", 3"

Weather Proof Stopping Plug



- Material** : Brass (IS - 319) Standard
- Plating** : Nickle Plated - Standard (Chrome also available)
- Threads** : BSC - Standard (PG / Metric / NPT / BSP also available)
- Application** : Used in normal climatic condition.
- Size** : 3/4", 1", 1 1/4", 1 1/2", 2", 2 1/2", 3"

Tamper Proof Stopping Plug



- Material** : Brass (IS - 319) Standard
- Plating** : Nickle Plated - Standard (Chrome also available)
- Threads** : BSC - Standard (PG / Metric / NPT / BSP also available)
- Application** : Used to prevent unauthorised removal.
- Size** : 3/4", 1", 1 1/4", 1 1/2", 2", 2 1/2", 3"

■ MCI Adaptor

MCI Adaptors provide a means of connection between dissimilar thread forms or sizes.



- Material** : Brass (IS - 319) Standard
- Plating** : Nickle Plated - Standard (Chrome also available)
- Threads** : BSC - Standard (PG / Metric / NPT / BSP also available)
- Application** : Used in normal climatic condition.

■ MCI Reducer

MCI Reducers effectively reduce the threaded entry diameter of an enclosure to accept a gland or fitting with a smaller thread. The range covers two design types:

Flame Proof Reducer



- Material** : Brass (IS - 319) Standard (Al. / M.S. / S.S. also available)
- Plating** : Nickle Plated - Standard (Chrome also available)
- Threads** : BSC - Standard (PG / Metric / NPT / BSP also available)
- Sealing Rubber Ring** : Neoprene
- Ref. Standard** : IS 2148 : 2004
- Ingress Protection** : IP 65 as per IS 12063 - 1987
- Test Certi. No.** : CMRI / TC / P / H792
- Application** : Used in flammable gas vapour area. (Group I, IIA & IIB)
- Size (MCR)** : 1" x 3/4", 1 1/4" x 1", 1 1/2" x 1 1/4", 2" x 1 1/2", 2 1/2" x 2", 3" x 2 1/2"

Weather Proof Reducer



- Material** : Brass (IS - 319) Standard
- Plating** : Nickle Plated - Standard (Chrome also available)
- Threads** : BSC - Standard (PG / Metric / NPT / BSP also available)
- Application** : Used in normal climatic condition.
- Size** : 1" x 3/4", 1 1/4" x 1", 1 1/2" x 1 1/4", 2" x 1 1/2", 2 1/2" x 2", 3" x 2 1/2"

■ MCI Earth Tag

MCI Earth Tag ensures earthing continuity between Gland and Enclosure.



- Material** : Brass
- Plating** : Nickle Plated
- Application** : Used with cable gland, adaptor & reducer to provide a means of connecting a flexible earth bond.

■ MCI PVC Shroud

MCI PVC Shroud are used for covering the Cable Glands as additional protection against weather conditions and corrosion.



- Material** : PVC
- Application** : Minimises the risk of dirt or foreign substances gathering on the cable gland body and / or point of cable to the gland interface.

■ For Unarmoured Single Core Power Cables Type AYY 650 / 1100 V

Cable Specifications		Single Compression Type				Double Compression Type				
Cores & Cross Sectional Area	Overall Dia. of Cable	Medium Duty	Nipple Entry for Medium Duty	Heavy Duty (SCG) as per IS 12943	Nipple Entry in Metric	Weather Proof (MCW) as per BS 6121	Flame Proof (MCF) as per IS 2148	Nipple Entry for WP. & FLP.	Medium Duty	Nipple Entry for Medium Duty
No.	Approx.	Size	Inches	Size Code	mm	Size Code	Size Code	Inches	Size	Inches
1 x 4	8.3	3/8"	5/8"	SCG 1	16	MCW 01SS	MCF 01SS	3/4"	3/8"	5/8"
1 x 6	8.8	3/8"	5/8"	SCG 1	16	MCW 01SS	MCF 01SS	3/4"	3/8"	5/8"
1 x 10	9.7	1/2"	5/8"	SCG 1	16	MCW 01SS	MCF 01SS	3/4"	1/2"	5/8"
1 x 16	11.5	5/8"	5/8"	SCG 2	16	MCW 01S	MCF 01S	3/4"	5/8"	3/4"
1 x 25	12.5	3/4"	3/4"	SCG 3	20	MCW 01S	MCF 01S	3/4"	3/4"	3/4"
1 x 35	14.0	3/4"	3/4"	SCG 3	20	MCW 01S	MCF 01S	3/4"	3/4"	3/4"
1 x 50	15.5	1"	1"	SCG 5	25	MCW 01A	MCF 01A	1"	3/4"	3/4"
1 x 70	17.0	1"	1"	SCG 5	25	MCW 01A	MCF 01A	1"	7/8"	3/4"
1 x 95	19.5	1"	1"	SCG 5	25	MCW 02	MCF 02	1"	7/8"	3/4"
1 x 120	21.5	1 1/8"	1 1/8"	SCG 7	32	MCW 03A	MCF 03A	28 mm	1"	1"
1 x 150	23.5	1 1/8"	1 1/8"	SCG 7	32	MCW 04A	MCF 04A	1 1/4"	1 1/8"	1 1/8"
1 x 185	25.5	1 1/4"	1 1/4"	SCG 7	32	MCW 04A	MCF 04A	1 1/4"	1 1/4"	1 1/4"
1 x 240	28.5	1 3/8"	1 3/8"	SCG 8	40	MCW 05A	MCF 05A	1 1/2"	1 3/8"	1 1/2"
1 x 300	32.0	1 1/2"	1 1/2"	SCG 8	40	MCW 06	MCF 06	1 1/2"	1 3/8"	1 1/2"
1 x 400	36.0	1 3/4"	1 3/4"	SCG 10	50	MCW 07A	MCF 07A	42 mm	1 3/4"	2"
1 x 500	40.0	2"	2"	SCG 10	50	MCW 08	MCF 08	2"	1 3/4"	2"
1 x 630	45.0	2"	2"	SCG 12	63	MCW 09	MCF 09	2"	2"	2"
1 x 800	49.0	2 1/4"	2 1/4"	SCG 12	63	MCW 010A	MCF 010A	2 1/2"	2 1/4"	2 1/4"
1 x 1000	54.0	2 1/2"	2 1/2"	SCG 13	63	MCW 011S	MCF 011S	2 1/2"	2 1/2"	2 1/2"

■ For Unarmoured Twin Core Power Cables Type AYY 650 / 1100 V

Cable Specifications		Single Compression Type				Double Compression Type				
Cores & Cross Sectional Area	Overall Dia. of Cable	Medium Duty	Nipple Entry for Medium Duty	Heavy Duty (SCG) as per IS 12943	Nipple Entry in Metric	Weather Proof (MCW) as per BS 6121	Flame Proof (MCF) as per IS 2148	Nipple Entry for WP. & FLP.	Medium Duty	Nipple Entry for Medium Duty
No.	Approx.	Size	Inches	Size Code	mm	Size Code	Size Code	Inches	Size	Inches
2 x 4	14.0	3/4"	3/4"	SCG 3	20	MCW 01S	MCF 01S	3/4"	3/4"	3/4"
2 x 6	15.0	3/4"	3/4"	SCG 3	20	MCW 01A	MCF 01A	1"	3/4"	3/4"
2 x 10	17.0	1"	1"	SCG 5	25	MCW 01A	MCF 01A	1"	1"	1"
2 x 16	20.0	1"	1"	SCG 5	25	MCW 02	MCF 02	1"	1"	1"
2 x 25	22.0	1 1/8"	1 1/8"	SCG 7	32	MCW 03A	MCF 03A	28 mm	1 1/8"	1 1/8"
2 x 35	24.0	1 1/4"	1 1/4"	SCG 7	32	MCW 04A	MCF 04A	1 1/4"	1 1/4"	1 1/4"
2 x 50	27.0	1 1/4"	1 1/4"	SCG 7	32	MCW 05A	MCF 05A	1 1/2"	1 1/4"	1 1/4"
2 x 70	28.5	1 3/8"	1 3/8"	SCG 8	40	MCW 05A	MCF 05A	1 1/2"	1 3/8"	1 1/2"
2 x 95	32.0	1 3/8"	1 3/8"	SCG 8	40	MCW 06	MCF 06	1 1/2"	1 3/8"	1 1/2"
2 x 120	33.0	1 1/2"	1 1/2"	SCG 8	40	MCW 06	MCF 06	1 1/2"	1 3/8"	1 1/2"
2 x 150	36.0	1 3/4"	1 3/4"	SCG 10	50	MCW 07A	MCF 07A	42 mm	1 3/4"	2"
2 x 185	40.0	2"	2"	SCG 10	50	MCW 08	MCF 08	2"	1.3/4"	2"
2 x 240	45.0	2"	2"	SCG 12	63	MCW 09	MCF 09	2"	2"	2"
2 x 300	50.0	2 1/4"	2 1/4"	SCG 12	63	MCW 010A	MCF 010A	2 1/2"	2 1/4"	2 1/4"
2 x 400	55.0	2 1/2"	2 1/2"	SCG 13	63	MCW 011	MCF 011	2 1/2"	2 1/2"	2 1/2"
2 x 500	62.0	2 3/4"	2 3/4"	SCG 14	75	MCW 012	MCF 012	3"	2 3/4"	2 3/4"
2 x 630	69.0	3"	3"	SCG 16	82	MCW 013A	MCF 013A	3"	3"	3"

MCI Cable Glands Selection Chart



■ For Unarmoured Three Core Power Cables Type AYY 650 / 1100 V

Cable Specifications		Single Compression Type				Double Compression Type				
Cores & Cross Sectional Area	Overall Dia. of Cable	Medium Duty	Nipple Entry for Medium Duty	Heavy Duty (SCG) as per IS 12943	Nipple Entry in Metric	Weather Proof (MCW) as per BS 6121	Flame Proof (MCF) as per IS 2148	Nipple Entry for WP. & FLP.	Medium Duty	Nipple Entry for Medium Duty
No.	Approx.	Size	Inches	Size Code	mm	Size Code	Size Code	Size	Size	Inches
3 x 4	15.0	3/4"	3/4"	SCG 3	20	MCW 01A	MCF 01A	1"	3/4"	3/4"
3 x 6	16.0	1"	1"	SCG 5	25	MCW 01A	MCF 01A	1"	1"	1"
3 x 10	17.5	1"	1"	SCG 5	25	MCW 01A	MCF 01A	1"	1"	1"
3 x 16	21.0	1 1/8"	1 1/8"	SCG 5	25	MCW 03A	MCF 03A	28 mm	1 1/8"	1 1/8"
3 x 25	22.0	1 1/8"	1 1/8"	SCG 7	32	MCW 03A	MCF 03A	28 mm	1 1/8"	1 1/8"
3 x 35	23.5	1 1/8"	1 1/8"	SCG 7	32	MCW 04A	MCF 04A	1 1/4"	1 1/8"	1 1/8"
3 x 50	27.5	1 3/8"	1 3/8"	SCG 8	40	MCW 05A	MCF 05A	1 1/2"	1 3/8"	1 1/2"
3 x 70	31.0	1 3/8"	1 3/8"	SCG 8	40	MCW 06	MCF 06	1 1/2"	1 3/8"	1 1/2"
3 x 95	35.0	1 3/4"	1 3/4"	SCG 10	50	MCW 07A	MCF 07A	42 mm	1 3/4"	2"
3 x 120	37.0	1 3/4"	1 3/4"	SCG 10	50	MCW 08	MCF 08	2"	1 3/4"	2"
3 x 150	41.0	2"	2"	SCG 10	50	MCW 08	MCF 08	2"	2"	2"
3 x 185	45.0	2"	2"	SCG 12	63	MCW 09	MCF 09	2"	2"	2"
3 x 240	51.5	2 1/2"	2 1/2"	SCG 12	63	MCW 010A	MCF 010A	2 1/2"	2 1/2"	2 1/2"
3 x 300	58.0	2 3/4"	2 3/4"	SCG 14	75	MCW 012	MCF 012	3"	2 3/4"	2 3/4"
3 x 400	65.0	3"	3"	SCG 14	75	MCW 012	MCF 012	3"	3"	3"
3 x 500	74.0	3 1/4"	3 1/4"	SCG 16	82	MCW 013	MCF 013	3 1/4"	3 1/4"	3 1/4"
3 x 630	79.0	3 1/2"	3 1/2"	SCG 17	90	MCW 014	MCF 014	3 1/2"	3 1/2"	3 1/2"

■ For Unarmoured Three & Half Core Power Cables Type AYY 650 / 1100 V

Cable Specifications		Single Compression Type				Double Compression Type				
Cores & Cross Sectional Area	Overall Dia. of Cable	Medium Duty	Nipple Entry for Medium Duty	Heavy Duty (SCG) as per IS 12943	Nipple Entry in Metric	Weather Proof (MCW) as per BS 6121	Flame Proof (MCF) as per IS 2148	Nipple Entry for WP. & FLP.	Medium Duty	Nipple Entry for Medium Duty
No.	Approx.	Size	Inches	Size Code	mm	Size Code	Size Code	Inches	Size	Inches
3 1/2x25/16	24.0	1 1/4"	1 1/4"	SCG 7	32	MCW 04A	MCF 04A	1 1/4"	1 1/4"	1 1/4"
3 1/2x35/16	25.0	1 1/4"	1 1/4"	SCG 7	32	MCW 04A	MCF 04A	1 1/4"	1 1/4"	1 1/4"
3 1/2x50/25	29.0	1 3/8"	1 3/8"	SCG 8	40	MCW 05A	MCF 05A	1 1/2"	1 3/8"	1 1/2"
3 1/2x70/35	33.0	1 1/2"	1 1/2"	SCG 8	40	MCW 06	MCF 06	1 1/2"	1 3/8"	1 1/2"
3 1/2x95/50	38.0	1 3/4"	1 3/4"	SCG 10	50	MCW 08	MCF 08	2"	1 3/4"	2"
3 1/2x120/70	41.0	2"	2"	SCG 10	50	MCW 08	MCF 08	2"	2"	2"
3 1/2x150/70	44.0	2"	2"	SCG 11	50	MCW 09	MCF 09	2"	2"	2"
3 1/2x185/95	50.0	2 1/4"	2 1/4"	SCG 12	63	MCW 010A	MCF 010A	2 1/2"	2 1/4"	2 1/4"
3 1/2x240/120	57.0	2 1/2"	2 1/2"	SCG 14	75	MCW 012	MCF 012	3"	2 1/2"	2 1/2"
3 1/2x300/150	63.0	2 3/4"	2 3/4"	SCG 14	75	MCW 012	MCF 012	3"	2 3/4"	2 3/4"
3 1/2x400/185	70.0	3"	3"	SCG 16	82	MCW 013	MCF 013	3 1/4"	3"	3"
3 1/2x500/240	80.0	3 1/2"	3 1/2"	SCG 17	90	MCW 014	MCF 014	3 1/2"	3 1/2"	3 1/2"
3 1/2x630/300	87.0	4"	4"	SCG 18	100	MCW 015	MCF 015	4"	4"	4"

■ For Unarmoured Four Core Power Cables Type AYY 650 / 1100 V

Cable Specifications		Single Compression Type				Double Compression Type				
Cores & Cross Sectional Area	Overall Dia. of Cable	Medium Duty	Nipple Entry for Medium Duty	Heavy Duty (SCG) as per IS 12943	Nipple Entry in Metric	Weather Proof (MCW) as per BS 6121	Flame Proof (MCF) as per IS 2148	Nipple Entry for WP. & FLP.	Medium Duty	Nipple Entry for Medium Duty
No.	Approx.	Size	Inches	Size Code	mm	Size Code	Size Code	Size	Size	Inches
4 x 4	16.0	1"	1"	SCG 5	25	MCW 01A	MCF 01A	1"	1"	1"
4 x 6	18.0	1"	1"	SCG 5	25	MCW 01A	MCF 01A	1"	1"	1"
4 x 10	19.0	1"	1"	SCG 5	25	MCW 02	MCF 02	1"	1"	1"
4 x 16	23.5	1 1/8"	1 1/8"	SCG 7	32	MCW 04A	MCF 04A	1 1/4"	1 1/8"	1 1/8"
4 x 25	24.0	1 1/4"	1 1/4"	SCG 7	32	MCW 04A	MCF 04A	1 1/4"	1 1/4"	1 1/4"
4 x 35	27.0	1 1/4"	1 1/4"	SCG 7	32	MCW 05A	MCF 05A	1 1/2"	1 1/4"	1 1/4"
4 x 50	32.0	1 3/8"	1 3/8"	SCG 8	40	MCW 06	MCF 06	1 1/2"	1 3/8"	1 1/2"
4 x 70	36.0	1 3/4"	1 3/4"	SCG 10	50	MCW 07A	MCF 07A	42 mm	1 3/4"	2"
4 x 95	41.0	2"	2"	SCG 10	50	MCW 08	MCF 08	2"	2"	2"
4 x 120	43.0	2"	2"	SCG 10	50	MCW 09	MCF 09	2"	2"	2"
4 x 150	48.0	2 1/4"	2 1/4"	SCG 12	63	MCW 010A	MCF 010A	2 1/2"	2 1/4"	2 1/4"
4 x 185	53.0	2 1/2"	2 1/2"	SCG 12	63	MCW 011S	MCF 011S	2 1/2"	2 1/2"	2 1/2"
4 x 240	59.0	2 3/4"	2 3/4"	SCG 14	75	MCW 012	MCF 012	3"	2 3/4"	2 3/4"
4 x 300	66.0	3"	3"	SCG 14	75	MCW 012	MCF 012	3"	3"	3"
4 x 400	74.0	3 1/4"	3 1/4"	SCG 16	82	MCW 013	MCF 013	3 1/4"	3 1/4"	3 1/4"

■ For Unarmoured 1.5 sq. mm. Multi Core Control Cables Type YY 650 / 1100 V

Cable Specifications		Single Compression Type				Double Compression Type				
Cores & Cross Sectional Area	Overall Dia. of Cable	Medium Duty	Nipple Entry for Medium Duty	Heavy Duty (SCG) as per IS 12943	Nipple Entry in Metric	Weather Proof (MCW) as per BS 6121	Flame Proof (MCF) as per IS 2148	Nipple Entry for WP. & FLP.	Medium Duty	Nipple Entry for Medium Duty
No.	Approx.	Size	Inches	Size Code	mm	Size Code	Size Code	Size	Size	Inches
2 x 1.5	11.5	1/2"	5/8"	SCG 2	16	MCW 01SS	MCF 01SS	3/4"	1/2"	5/8"
3 x 1.5	12.0	5/8"	3/4"	SCG 3	20	MCW 01S	MCF 01S	3/4"	5/8"	3/4"
4 x 1.5	13.0	3/4"	3/4"	SCG 3	20	MCW 01S	MCF 01S	3/4"	3/4"	3/4"
5 x 1.5	14.0	3/4"	3/4"	SCG 3	20	MCW 01S	MCF 01S	3/4"	3/4"	3/4"
6 x 1.5	15.0	3/4"	3/4"	SCG 3	20	MCW 01A	MCF 01A	1"	3/4"	3/4"
7 x 1.5	15.5	1"	1"	SCG 5	25	MCW 01A	MCF 01A	1"	1"	1"
10 x 1.5	17.0	1"	1"	SCG 5	25	MCW 01A	MCF 01A	1"	1"	1"
12 x 1.5	17.5	1"	1"	SCG 5	25	MCW 01A	MCF 01A	1"	1"	1"
14 x 1.5	18.5	1"	1"	SCG 5	25	MCW 02	MCF 02	1"	1"	1"
16 x 1.5	19.5	1"	1"	SCG 5	25	MCW 02	MCF 02	1"	1"	1"
19 x 1.5	21.0	1 1/8"	1 1/8"	SCG 7	32	MCW 03A	MCF 03A	28 mm	1 1/8"	1 1/8"
24 x 1.5	24.0	1 1/8"	1 1/8"	SCG 7	32	MCW 04A	MCF 04A	1 1/4"	1 1/8"	1 1/8"
27 x 1.5	24.5	1 1/8"	1 1/8"	SCG 7	32	MCW 04A	MCF 04A	1 1/4"	1 1/4"	1 1/4"
30 x 1.5	25.5	1 1/4"	1 1/4"	SCG 7	32	MCW 04A	MCF 04A	1 1/4"	1 1/4"	1 1/4"
37 x 1.5	27.0	1 1/4"	1 1/4"	SCG 7	32	MCW 05A	MCF 05A	1 1/2"	1 1/4"	1 1/4"
44 x 1.5	30.5	1 3/8"	1 3/8"	SCG 8	40	MCW 06	MCF 06	1 1/2"	1 3/8"	1 1/2"
52 x 1.5	33.0	1 1/2"	1 1/2"	SCG 8	40	MCW 06	MCF 06	1 1/2"	1 3/8"	1 1/2"
61 x 1.5	34.0	1 3/4"	1 3/4"	SCG 9	40	MCW 07A	MCF 07A	42 mm	1 3/4"	2"

MCI Cable Glands Selection Chart



■ For Unarmoured 2.5 sq. mm. Multi Core Control Cables Type YY 650 / 1100 V

Cable Specifications		Single Compression Type				Double Compression Type				
Cores & Cross Sectional Area	Overall Dia. of Cable	Medium Duty	Nipple Entry for Medium Duty	Heavy Duty (SCG) as per IS 12943	Nipple Entry in Metric	Weather Proof (MCW) as per BS 6121	Flame Proof (MCF) as per IS 2148	Nipple Entry for WP. & FLP.	Medium Duty	Nipple Entry for Medium Duty
No.	Approx.	Size	Inches	Size Code	mm	Size Code	Size Code	Size	Size	Inches
2 x 2.5	13.0	5/8"	3/4"	SCG 3	20	MCW 01S	MCF 01S	3/4"	5/8"	3/4"
3 x 2.5	13.5	3/4"	3/4"	SCG 3	20	MCW 01S	MCF 01S	3/4"	3/4"	3/4"
4 x 2.5	14.5	3/4"	3/4"	SCG 3	20	MCW 01S	MCF 01S	3/4"	3/4"	3/4"
5 x 2.5	15.5	3/4"	3/4"	SCG 3	20	MCW 01A	MCF 01A	1"	3/4"	3/4"
6 x 2.5	17.0	1"	1"	SCG 5	25	MCW 01A	MCF 01A	1"	1"	1"
7 x 2.5	17.5	1"	1"	SCG 5	28	MCW 01A	MCF 01A	1"	1"	1"
10 x 2.5	19.5	1"	1"	SCG 5	25	MCW 02	MCF 02	1"	1"	1"
12 x 2.5	20.5	1"	1"	SCG 5	25	MCW 02	MCF 02	1"	1"	1"
14 x 2.5	22.0	1 1/8"	1 1/8"	SCG 7	32	MCW 03A	MCF 03A	28 mm	1 1/8"	1 1/8"
16 x 2.5	23.0	1 1/8"	1 1/8"	SCG 7	32	MCW 03A	MCF 03A	28 mm	1 1/8"	1 1/8"
19 x 2.5	24.0	1 1/8"	1 1/8"	SCG 7	32	MCW 04A	MCF 04A	1 1/4"	1 1/4"	1 1/4"
24 x 2.5	28.0	1 3/8"	1 3/8"	SCG 8	40	MCW 05A	MCF 05A	1 1/2"	1 3/8"	1 1/2"
27 x 2.5	28.5	1 3/8"	1 3/8"	SCG 8	40	MCW 05A	MCF 05A	1 1/2"	1 3/8"	1 1/2"
30 x 2.5	29.5	1 3/8"	1 3/8"	SCG 8	40	MCW 05A	MCF 05A	1 1/2"	1 3/8"	1 1/2"
37 x 2.5	33.0	1 1/2"	1 1/2"	SCG 8	40	MCW 06	MCF 06	1 1/2"	1 3/8"	1 1/2"
44 x 2.5	35.0	1 3/4"	1 3/4"	SCG 10	50	MCW 07A	MCF 07A	42 mm	1 3/4"	2"
52 x 2.5	37.0	1 3/4"	1 3/4"	SCG 10	50	MCW 08	MCF 08	2"	1 3/4"	2"
61 x 2.5	39.0	2"	2"	SCG 10	50	MCW 08	MCF 08	2"	2"	2"

■ For Armoured Single Core Power Cables Type AYFY & AYWY 650 / 1100 V

Cable Specifications		Single Compression Type				Double Compression Type					
Cores & Cross Sectional Area	Overall Dia. of Cable	Medium Duty	Nipple Entry for Medium Duty	Heavy Duty (SCG) as per IS 12943	Nipple Entry in Metric	Flange Type	Weather Proof (MCW) as per BS 6121	Flame Proof (MCF) as per IS 2148	Nipple Entry for WP. & FLP.	Medium Duty	Nipple Entry for Medium Duty
No.	Approx.	Size	Inches	Size Code	mm	Size Code	Size Code	Size Code	Size	Size	Inches
1 x 4	12.3	5/8"	3/4"	SCG 2	16	FL 5	MCW 01S	MCF 01S	3/4"	5/8"	3/4"
1 x 6	12.8	5/8"	3/4"	SCG 2	16	FL 5	MCW 01S	MCF 01S	3/4"	5/8"	3/4"
1 x 10	13.5	5/8"	3/4"	SCG 2	16	FL 5	MCW 01S	MCF 01S	3/4"	5/8"	3/4"
1 x 16	15.0	3/4"	3/4"	SCG 3	20	FL 5	MCW 01S	MCF 01S	3/4"	3/4"	3/4"
1 x 25	16.0	3/4"	3/4"	SCG 3	20	FL 5	MCW 01S	MCF 01S	3/4"	3/4"	3/4"
1 x 35	17.0	7/8"	3/4"	SCG 4	20	FL 5	MCW 01	MCF 01	3/4"	3/4"	3/4"
1 x 50	19.0	1"	1"	SCG 5	25	FL 4	MCW 02	MCF 02	1"	1"	1"
1 x 70	20.0	1"	1"	SCG 5	25	FL 3	MCW 02	MCF 02	1"	1"	1"
1 x 95	22.0	1 1/8"	1 1/8"	SCG 6	25	FL 2	MCW 03	MCF 03	1"	1"	1"
1 x 120	24.0	1 1/8"	1 1/8"	SCG 6	25	FL 2	MCW 04	MCF 04	1"	1 1/8"	1 1/8"
1 x 150	25.0	1 1/8"	1 1/8"	SCG 6	25	FL 1	MCW 04	MCF 04	1"	1 1/8"	1 1/8"
1 x 185	27.0	1 1/4"	1 1/4"	SCG 7	32	FL 1	MCW 05	MCF 05	1 1/4"	1 1/4"	1 1/4"
1 x 225	30.0	1 3/8"	1 3/8"	SCG 8	40	FL 11	MCW 05	MCF 05	1 1/4"	1 3/8"	1 1/2"
1 x 240	33.0	1 3/8"	1 3/8"	SCG 8	40	FL 11	MCW 06	MCF 06	1 1/2"	1 3/8"	1 1/2"
1 x 300	35.0	1 1/2"	1 1/2"	SCG 9	50	FL 00	MCW 07	MCF 07	1 1/2"	1 1/2"	1 1/2"
1 x 400	39.0	1 3/4"	1 3/4"	SCG 10	50	FL 38	MCW 08	MCF 08	2"	1 3/4"	2"
1 x 500	41.0	1 3/4"	1 3/4"	SCG 10	50	FL 001	MCW 08	MCF 08	2"	1 3/4"	2"
1 x 630	45.0	2"	2"	SCG 11	50	FL 002	MCW 09	MCF 09	2"	2"	2"
1 x 800	52.0	2 1/4"	2 1/4"	SCG 12	63	FL 003	MCW 010	MCF 010	2"	2 1/4"	2 1/4"
1 x 1000	55.0	2 1/2"	2 1/2"	SCG 13	63	FL 003	MCW 011	MCF 011	2 1/2"	2 1/2"	2 1/2"

■ For Armoured Twin Core Power Cables Type AYFY & AYWY 650 / 1100 V

Cable Specifications		Single Compression Type					Double Compression Type					
Cores & Cross Sectional Area	Overall Dia. of Cable	Medium Duty	Nipple Entry for Medium Duty	Heavy Duty (SCG) as per IS 12943	Nipple Entry in Metric	Flange Type	Weather Proof (MCW) as per BS 6121	Flame Proof (MCF) as per IS 2148	Nipple Entry for WP. & FLP.	Medium Duty	Nipple Entry for Medium Duty	
No.	Approx.	Size	Inches	Size Code	mm	Size Code	Size Code	Size Code	Size	Size	Inches	
2 x 4	17.5	3/4"	3/4"	SCG 4	20	FL 4	MCW 01	MCF 01	3/4"	3/4"	3/4"	
2 x 6	18.5	7/8"	3/4"	SCG 5	25	FL 4	MCW 01	MCF 01	3/4"	3/4"	3/4"	
2 x 10	20.0	1"	1"	SCG 5	25	FL 3	MCW 02	MCF 02	1"	1"	1"	
2 x 16	22.5	1"	1"	SCG 5	25	FL 2	MCW 03	MCF 03	1"	1"	1"	
2 x 25	25.0	1 1/8"	1 1/8"	SCG 6	25	FL 1	MCW 04	MCF 04	1"	1 1/8"	1 1/8"	
2 x 35	27.0	1 1/4"	1 1/4"	SCG 7	32	FL 1	MCW 05	MCF 05	1 1/4"	1 1/4"	1 1/4"	
2 x 50	29.0	1 3/8"	1 3/8"	SCG 8	40	FL 11	MCW 05	MCF 05	1 1/4"	1 3/8"	1 1/2"	
2 x 70	31.0	1 3/8"	1 3/8"	SCG 8	40	FL 11	MCW 06	MCF 06	1 1/2"	1 3/8"	1 1/2"	
2 x 95	33.0	1 3/8"	1 3/8"	SCG 8	40	FL 11	MCW 06	MCF 06	1 1/2"	1 3/8"	1 1/2"	
2 x 120	34.0	1 1/2"	1 1/2"	SCG 9	40	FL 11	MCW 07	MCF 07	1 1/2"	1 1/2"	1 1/2"	
2 x 150	38.0	1 1/2"	1 1/2"	SCG 9	40	FL 00	MCW 08	MCF 08	2"	1 3/4"	2"	
2 x 185	41.0	1 3/4"	1 3/4"	SCG 10	50	FL 001	MCW 08	MCF 08	2"	1 3/4"	2"	
2 x 240	46.0	2"	2"	SCG 11	50	FL 002	MCW 09	MCF 09	2"	2"	2"	
2 x 300	51.0	2 1/4"	2 1/4"	SCG 12	63	FL 003	MCW 010	MCF 010	2"	2 1/4"	2 1/4"	
2 x 400	57.0	2 1/2"	2 1/2"	SCG 13	63	FL 003	MCW 011	MCF 011	2 1/2"	2 1/2"	2 1/2"	

■ For Armoured Three Core Power Cables Type AYFY & AYWY 650 / 1100 V

Cable Specifications		Single Compression Type					Double Compression Type					
Cores & Cross Sectional Area	Overall Dia. of Cable	Medium Duty	Nipple Entry for Medium Duty	Heavy Duty (SCG) as per IS 12943	Nipple Entry in Metric	Flange Type	Weather Proof (MCW) as per BS 6121	Flame Proof (MCF) as per IS 2148	Nipple Entry for WP. & FLP.	Medium Duty	Nipple Entry for Medium Duty	
No.	Approx.	Size	Inches	Size Code	mm	Size Code	Size Code	Size Code	Size	Size	Inches	
3 x 4	18.0	1"	1"	SCG 5	25	FL 4	MCW 01	MCF 01	3/4"	3/4"	3/4"	
3 x 6	19.5	1"	1"	SCG 5	25	FL 3	MCW 02	MCF 02	1"	7/8"	3/4"	
3 x 10	21.0	1"	1"	SCG 5	25	FL 3	MCW 03	MCF 03	1"	1"	1"	
3 x 16	23.5	1 1/8"	1 1/8"	SCG 6	25	FL 2	MCW 04	MCF 04	1"	1 1/8"	1 1/8"	
3 x 25	24.0	1 1/8"	1 1/8"	SCG 6	25	FL 1	MCW 04	MCF 04	1"	1 1/8"	1 1/8"	
3 x 35	25.5	1 1/4"	1 1/4"	SCG 7	32	FL 1	MCW 04	MCF 04	1"	1 1/8"	1 1/8"	
3 x 50	29.0	1 3/8"	1 3/8"	SCG 8	40	FL 1	MCW 05	MCF 05	1 1/4"	1 1/4"	1 1/4"	
3 x 70	33.0	1 1/2"	1 1/2"	SCG 9	40	FL 0	MCW 06	MCF 06	1 1/2"	1 1/2"	1 1/2"	
3 x 95	37.0	1 3/4"	1 3/4"	SCG 9	40	FL 00	MCW 07	MCF 07	1 1/2"	1 3/4"	2"	
3 x 120	39.0	1 3/4"	1 3/4"	SCG 10	50	FL 38	MCW 08	MCF 08	2"	1 3/4"	2"	
3 x 150	43.0	2"	2"	SCG 11	50	FL 001	MCW 09	MCF 09	2"	2"	2"	
3 x 185	47.0	2 1/4"	2 1/4"	SCG 11	50	FL 002	MCW 010	MCF 010	2"	2 1/4"	2 1/4"	
3 x 240	53.0	2 1/2"	2 1/2"	SCG 12	63	FL 003	MCW 011S	MCF 011S	2 1/2"	2 1/2"	2 1/2"	
3 x 300	59.0	2 3/4"	2 3/4"	SCG 13	63	FL 003	MCW 011	MCF 011	2 1/2"	2 3/4"	2 3/4"	
3 x 400	66.0	3"	3"	SCG 14	75	FL 0033	MCW 012	MCF 012	3"	3"	3"	
3 x 500	76.0	3 1/4"	3 1/4"	SCG 16	82	FL 004	MCW 01	MCF 013	3 1/4"	3 1/4"	3 1/4"	

MCI Cable Glands Selection Chart



■ For Armoured Three & Half Core Power Cables Type AYFY & AYWY 650 / 1100 V

Cable Specifications		Single Compression Type					Double Compression Type				
Cores & Cross Sectional Area	Overall Dia. of Cable	Medium Duty	Nipple Entry for Medium Duty	Heavy Duty (SCG) as per IS 12943	Nipple Entry in Metric	Flange Type	Weather Proof (MCW) as per BS 6121	Flame Proof (MCF) as per IS 2148	Nipple Entry for WP. & FLP.	Medium Duty	Nipple Entry for Medium Duty
No.	Approx.	Size	Inches	Size Code	mm	Size Code	Size Code	Size Code	Size	Size	Inches
3 1/2x25/16	26.0	1 1/8"	1 1/8"	SCG 7	32	FL 1	MCW 04	MCF 04	1"	1 1/8"	1 1/8"
3 1/2x35/16	27.0	1 1/4"	1 1/4"	SCG 7	32	FL 11	MCW 05	MCF 05	1 1/4"	1 1/4"	1 1/4"
3 1/2x50/25	31.0	1 3/8"	1 3/8"	SCG 8	40	FL 11	MCW 06	MCF 06	1 1/2"	1 3/8"	1 1/2"
3 1/2x70/35	34.0	1 1/2"	1 1/2"	SCG 9	40	FL 00	MCW 07	MCF 07	1 1/2"	1 1/2"	1 1/2"
3 1/2x95/50	39.0	1 3/4"	1 3/4"	SCG 10	50	FL 38	MCW 08	MCF 08	2"	1 3/4"	2"
3 1/2x120/70	42.0	1 3/4"	1 3/4"	SCG 10	50	FL 001	MCW 09	MCF 09	2"	1 3/4"	2"
3 1/2x150/70	47.0	2"	2"	SCG 11	50	FL 002	MCW 010	MCF 010	2"	2"	2"
3 1/2x185/95	52.0	2 1/4"	2 1/4"	SCG 12	63	FL 002	MCW 010	MCF 010	2"	2 1/4"	2 1/4"
3 1/2x240/120	58.0	2 1/2"	2 1/2"	SCG 13	63	FL 003	MCW 011	MCF 011	2 1/2"	2 1/2"	2 1/2"
3 1/2x300/150	65.0	2 3/4"	2 3/4"	SCG 14	75	FL 0033	MCW 012	MCF 012	3"	2 3/4"	2 3/4"
3 1/2x400/185	72.0	3"	3"	SCG 15	75	FL 004	MCW 013A	MCF 013A	3"	3"	3"
3 1/2x500/240	82.0	3 1/2"	3 1/2"	SCG 17	90	FL 005	MCW 014	MCF 014	3 1/2"	3 1/2"	3 1/2"

■ For Armoured Four Core Power Cables Type AYFY & AYWY 650 / 1100 V

Cable Specifications		Single Compression Type					Double Compression Type				
Cores & Cross Sectional Area	Overall Dia. of Cable	Medium Duty	Nipple Entry for Medium Duty	Heavy Duty (SCG) as per IS 12943	Nipple Entry in Metric	Flange Type	Weather Proof (MCW) as per BS 6121	Flame Proof (MCF) as per IS 2148	Nipple Entry for WP. & FLP.	Medium Duty	Nipple Entry for Medium Duty
No.	Approx.	Size	Inches	Size Code	mm	Size Code	Size Code	Size Code	Size	Size	Inches
4 x 4	19.0	1"	1"	SCG 5	25	FL 3	MCW 02	MCF 02	1"	7/8"	3/4"
4 x 6	20.5	1"	1"	SCG 5	25	FL 3	MCW 02	MCF 02	1"	7/8"	3/4"
4 x 10	21.5	1 1/8"	1 1/8"	SCG 6	25	FL 2	MCW 03	MCF 03	1"	1"	1"
4 x 16	25.5	1 1/8"	1 1/8"	SCG 6	25	FL 1	MCW 04	MCF 04	1"	1 1/8"	1 1/8"
4 x 25	26.0	1 1/4"	1 1/4"	SCG 7	32	FL 1	MCW 04	MCF 04	1"	1 1/8"	1 1/8"
4 x 35	28.0	1 1/4"	1 1/4"	SCG 7	32	FL 11	MCW 05	MCF 05	1 1/4"	1 1/4"	1 1/4"
4 x 50	33.0	1 3/8"	1 3/8"	SCG 8	40	FL 11	MCW 06	MCF 06	1 1/2"	1 3/8"	1 1/2"
4 x 70	37.0	1 1/2"	1 1/2"	SCG 9	40	FL 00	MCW 07	MCF 07	1 1/2"	1 1/2"	1 1/2"
4 x 95	42.0	1 3/4"	1 3/4"	SCG 10	50	FL 001	MCW 09	MCF 09	2"	1 3/4"	2"
4 x 120	45.0	2"	2"	SCG 11	50	FL 002	MCW 09	MCF 09	2"	2"	2"
4 x 150	50.0	2 1/4"	2 1/4"	SCG 12	63	FL 002	MCW 010	MCF 010	2"	2 1/4"	2 1/4"
4 x 185	55.0	2 1/2"	2 1/2"	SCG 13	63	FL 003	MCW 011	MCF 011	2 1/2"	2 1/2"	2 1/2"
4 x 240	62.0	2 3/4"	2 3/4"	SCG 14	75	FL 0033	MCW 012	MCF 012	3"	2 3/4"	2 3/4"
4 x 300	68.0	3"	3"	SCG 15	75	FL 0033	MCW 013A	MCF 013A	3"	3"	3"
4 x 400	76.0	3 1/4"	3 1/4"	SCG 16	82	FL 004	MCW 013	MCF 013	3 1/4"	3 1/4"	3 1/4"

■ For Armoured 1.5 sq. mm. Multi Core Control Cables Type YWY / YFY 650 / 1100 V

Cable Specifications		Single Compression Type					Double Compression Type				
Cores & Cross Sectional Area	Overall Dia. of Cable	Medium Duty	Nipple Entry for Medium Duty	Heavy Duty (SCG) as per IS 12943	Nipple Entry in Metric	Flange Type	Weather Proof (MCW) as per BS 6121	Flame Proof (MCF) as per IS 2148	Nipple Entry for WP. & FLP.	Medium Duty	Nipple Entry for Medium Duty
No.	Approx.	Size	Inches	Size Code	mm	Size Code	Size Code	Size Code	Size	Size	Inches
2 x 1.5	15.0	5/8"	3/4"	SCG 3	20	FL 5	MCW 01S	MCF 01S	3/4"	5/8"	3/4"
3 x 1.5	15.5	5/8"	3/4"	SCG 3	20	FL 5	MCW 01S	MCF 01S	3/4"	5/8"	3/4"
4 x 1.5	16.0	3/4"	3/4"	SCG 3	20	FL 5	MCW 01S	MCF 01S	3/4"	3/4"	3/4"
5 x 1.5	16.5	7/8"	3/4"	SCG 4	20	FL 4	MCW 01S	MCF 01S	3/4"	3/4"	3/4"
6 x 1.5	17.0	7/8"	3/4"	SCG 4	20	FL 4	MCW 01	MCF 01	3/4"	7/8"	3/4"
7 x 1.5	17.5	7/8"	3/4"	SCG 4	20	FL 4	MCW 01	MCF 01	3/4"	7/8"	3/4"
10 x 1.5	20.5	1"	1"	SCG 5	25	FL 3	MCW 02	MCF 02	1"	1"	1"
12 x 1.5	21.0	1"	1"	SCG 5	25	FL 3	MCW 03	MCF 03	1"	1"	1"
14 x 1.5	21.5	1"	1"	SCG 5	25	FL 2	MCW 03	MCF 03	1"	1"	1"
16 x 1.5	21.5	1"	1"	SCG 5	25	FL 2	MCW 03	MCF 03	1"	1"	1"
19 x 1.5	22.0	1"	1"	SCG 5	25	FL 2	MCW 03	MCF 03	1"	1"	1"
24 x 1.5	25.5	1 1/8"	1 1/8"	SCG 6	25	FL 1	MCW 04	MCF 04	1"	1 1/8"	1 1/8"
27 x 1.5	26.0	1 1/8"	1 1/8"	SCG 6	25	FL 1	MCW 04	MCF 04	1"	1 1/8"	1 1/8"
30 x 1.5	27.0	1 1/4"	1 1/4"	SCG 7	32	FL 1	MCW 05	MCF 05	1 1/4"	1 1/4"	1 1/4"
37 x 1.5	29.0	1 1/4"	1 1/4"	SCG 7	32	FL 1	MCW 05	MCF 05	1 1/4"	1 1/4"	1 1/4"
44 x 1.5	33.0	1 3/8"	1 3/8"	SCG 8	40	FL 11	MCW 06	MCF 06	1 1/2"	1 3/8"	1 1/2"
52 x 1.5	34.0	1 3/8"	1 3/8"	SCG 9	40	FL 0	MCW 07	MCF 06	1 1/2"	1 1/2"	1 1/2"
61 x 1.5	36.0	1 1/2"	1 1/2"	SCG 9	40	FL 00	MCW 07	MCF 07	1 1/2"	1 1/2"	1 1/2"

■ For Armoured 2.5 sq. mm. Multi Core Control Cables Type YWY / YFY 650 / 1100 V

Cable Specifications		Single Compression Type					Double Compression Type				
Cores & Cross Sectional Area	Overall Dia. of Cable	Medium Duty	Nipple Entry for Medium Duty	Heavy Duty (SCG) as per IS 12943	Nipple Entry in Metric	Flange Type	Weather Proof (MCW) as per BS 6121	Flame Proof (MCF) as per IS 2148	Nipple Entry for WP. & FLP.	Medium Duty	Nipple Entry for Medium Duty
No.	Approx.	Size	Inches	Size Code	mm	Size Code	Size Code	Size Code	Size	Size	Inches
2 x 2.5	16.5	3/4"	3/4"	SCG 3	20	FL 5	MCW 01S	MCF 01S	3/4"	3/4"	3/4"
3 x 2.5	17.0	3/4"	3/4"	SCG 4	20	FL 5	MCW 01	MCF 01	3/4"	3/4"	3/4"
4 x 2.5	17.5	7/8"	3/4"	SCG 4	20	FL 4	MCW 01	MCF 01	3/4"	7/8"	3/4"
5 x 2.5	17.8	7/8"	3/4"	SCG 4	20	FL 4	MCW 01	MCF 01	3/4"	7/8"	3/4"
6 x 2.5	19.0	1"	1"	SCG 5	25	FL 3	MCW 02	MCF 02	1"	7/8"	3/4"
7 x 2.5	19.5	1"	1"	SCG 5	25	FL 3	MCW 02	MCF 02	1"	1"	1"
10 x 2.5	22.0	1"	1"	SCG 5	25	FL 2	MCW 03	MCF 03	1"	1"	1"
12 x 2.5	22.0	1"	1"	SCG 5	25	FL 2	MCW 03	MCF 03	1"	1"	1"
14 x 2.5	23.5	1 1/8"	1 1/8"	SCG 6	25	FL 2	MCW 04	MCF 04	1"	1 1/8"	1 1/8"
16 x 2.5	24.5	1 1/8"	1 1/8"	SCG 6	25	FL 2	MCW 04	MCF 04	1"	1 1/8"	1 1/8"
19 x 2.5	25.5	1 1/8"	1 1/8"	SCG 6	25	FL 2	MCW 04	MCF 04	1"	1 1/8"	1 1/8"
24 x 2.5	29.5	1 1/4"	1 1/4"	SCG 7	32	FL 1	MCW 05	MCF 05	1 1/4"	1 1/4"	1 1/4"
27 x 2.5	30.0	1 1/4"	1 1/4"	SCG 7	32	FL 1	MCW 05	MCF 05	1 1/4"	1 1/4"	1 1/4"
30 x 2.5	32.0	1 3/8"	1 3/8"	SCG 8	40	FL 1	MCW 06	MCF 06	1 1/2"	1 3/8"	1 1/2"
37 x 2.5	34.0	1 3/8"	1 3/8"	SCG 9	40	FL 11	MCW 07	MCF 07	1 1/2"	1 3/8"	1 1/2"
44 x 2.5	37.0	1 1/2"	1 1/2"	SCG 9	40	FL 00	MCW 07	MCF 07	1 1/2"	1 1/2"	1 1/2"
52 x 2.5	38.0	1 3/4"	1 3/4"	SCG 10	50	FL 38	MCW 08	MCF 08	2"	1 3/4"	2"
61 x 2.5	40.0	1 3/4"	1 3/4"	SCG 10	50	FL 38	MCW 08	MCF 08	2"	1 3/4"	2"

MCI Cable Glands Selection Chart



■ On The Basis of Cable Overall Diameter

For Armoured Cables

Single Compression Heavy Duty SCG Series as per IS12943				
Cable Overall Dia. (mm) Suitable for		Suitable Gland Type	Old SIBG	Nipple Thread in Metric
From	To	Size Code	Code	mm
9.0	12.0	SCG 1	--	16 x 1.5
12.0	15.0	SCG 2	(1616)	16 x 1.5
12.0	15.0	SCG 3	(1619)	20 x 1.5
15.0	18.0	SCG 4	(2119)	20 x 1.5
16.0	20.0	SCG 5	(2125)	25 x 1.5
20.0	24.0	SCG 6	(2925)	25 x 1.5
24.0	28.0	SCG 7	(2932)	32 x 1.5
28.0	32.0	SCG 8	(2938)	40 x 1.5
33.0	37.0	SCG 9	(3638)	40 x 1.5
37.5	42.0	SCG 10	(4251)	50 x 1.5
43.0	48.0	SCG 11	(5451)	50 x 1.5
49.0	54.0	SCG 12	(5463)	63 x 1.5
55.0	60.0	SCG 13	(6063)	63 x 1.5
61.0	66.0	SCG 14	(6675)	75 x 1.5
67.0	72.0	SCG 15	--	75 x 1.5
73.0	78.0	SCG 16	(7882)	82 x 1.5
79.0	84.0	SCG 17	--	90 x 1.5
84.5	92.0	SCG 18	--	100 x 1.5
93.0	100.0	SCG 19	--	110 x 1.5
101.0	115.0	SCG 20	--	125 x 1.5

For Armoured Cables

Single Compression Medium Duty Type		
Cable Overall Dia. (mm) Suitable for		Suitable Gland Type and Thread
From	To	Size
6.0	9.0	3/8"
9.0	12.0	1/2"
12.0	14.0	5/8"
14.0	16.0	3/4"
16.0	18.0	7/8"
18.0	21.5	1"
21.5	26.0	1 1/8"
26.0	31.0	1 1/4"
31.0	34.0	1 3/8"
34.0	38.0	1 1/2"
38.0	42.0	1 3/4"
42.0	48.0	2"
48.0	54.0	2 1/4"
54.0	60.0	2 1/2"
60.0	66.0	2 3/4"
66.0	72.0	3"
72.0	78.0	3 1/4"
78.0	84.0	3 1/2"
84.0	92.0	4"

For Unarmoured Cables

For Double Compression Weather Proof & Flame Proof Cable Glands				
Cable Overall Dia. (mm) Suitable for		Weather Proof as per BS 6121	Flame Proof as per IS 2148	Nipple Thread
From	To	Size Code	Size Code	Size
5.0	11.0	MCW 01SS	MCF 01SS	3/4"
11.0	14.0	MCW 01S	MCF 01S	3/4"
14.1	18.0	MCW 01A	MCF 01A	1"
18.1	20.0	MCW 02	MCF 02	1"
20.1	23.0	MCW 03A	MCF 03A	28 mm
23.1	26.0	MCW 04A	MCF 04A	1 1/4"
26.1	30.0	MCW 05A	MCF 05A	1 1/2"
30.1	33.0	MCW 06	MCF 06	1 1/2"
33.1	36.0	MCW 07A	MCF 07A	42 mm
36.1	41.0	MCW 08	MCF 08	2"
41.1	44.0	MCW 09	MCF 09	2"
44.1	52.0	MCW 010A	MCF 010A	2 1/2"
52.1	55.0	MCW 011S	MCF 011S	2 1/2"
55.1	60.0	MCW 011	MCF 011	70 mm
60.1	66.0	MCW 012	MCF 012	3"
66.1	75.0	MCW 013	MCF 013	3 1/4"
75.0	80.0	MCW 014	MCF 014	3 1/2"
81.0	90.0	MCW 015	MCF 015	4"
90.0	100.0	MCW 016	MCF 016	4 1/2"

For Armoured Cables

For Double Compression Weather Proof & Flame Proof Cable Glands				
Cable Overall Dia. (mm) Suitable for		Weather Proof as per BS 6121	Flame Proof as per IS 2148	Nipple Thread
From	To	Size Code	Size Code	Size
6.0	12.0	MCW 01SS	MCF 01SS	3/4"
12.0	16.5	MCW 01S	MCF 01S	3/4"
16.5	18.5	MCW 01	MCF 01	3/4"
16.5	18.5	MCW 01A	MCF 01A	1"
18.5	20.0	MCW 02	MCF 02	1"
18.5	20.0	MCW 02A	MCF 02A	3/4"
20.0	23.0	MCW 03	MCF 03	1"
23.0	26.0	MCW 04	MCF 04	1"
23.0	26.0	MCW 04A	MCF 04A	1 1/4"
26.0	30.0	MCW 05	MCF 05	1 1/4"
26.0	30.0	MCW 05A	MCF 05A	1 1/2"
30.0	33.0	MCW 06	MCF 06	1 1/2"
30.0	33.0	MCW 06A	MCF 06A	1 1/4"
33.0	37.0	MCW 07	MCF 07	1 1/2"
37.0	41.0	MCW 08	MCF 08	2"
41.0	46.0	MCW 09	MCF 09	2"
46.0	52.0	MCW 010	MCF 010	2"
46.0	52.0	MCW 010A	MCF 010A	2 1/2"
52.0	54.0	MCW 011S	MCF 011S	2 1/2"
54.0	61.0	MCW 011	MCF 011	2 1/2"
61.0	66.0	MCW 012	MCF 012	3"
66.0	72.0	MCW 013A	MCF 013A	3"
72.0	78.0	MCW 013	MCF 013	3 1/4"
78.0	84.0	MCW 014	MCF 014	3 1/2"
84.0	94.0	MCW 015	MCF 015	4"
94.0	104.0	MCW 016	MCF 016	4 1/2"

We reserve the right to make technical changes without notice. While we have done our best to ensure the accuracy of catalogue data, we take no responsibility for printing or other errors. Reproduction in whole or in part without permission is prohibited. © 2008 Metal Craft Industries. All Rights Reserved.

☆ venus macro prints : 98243 98668



For further inquiries contact:



Metal Craft
INDUSTRIES

METAL CRAFT INDUSTRIES

Office:

Amarnagar Main Road,
Umakant Pandit Udyog Nagar,
Rajkot - 360 004. (Gujarat) INDIA.

Phone : +91-281-2360186

Telefax : +91-281-2363875

Works:

Plot No. G-2609, Kranti Gate,
Lodhika G.I.D.C., Kalawad Road,
Metoda - 360 021. Dist.: Rajkot

E-mail : info@mcicableglands.com

Web : www.mcicableglands.com